

**NOTTICE OF  
CITY OF ALBANY  
COUNCIL WORK SESSION**

There will be a City Council and Friends of North Park work session in and for the city of Albany, Stearns County, Minnesota at 5:15 o'clock in the evening on Thursday, November 14, 2024, in the council room at 400 Railroad Avenue for the said City.

Gary Winkels  
Clerk/Adm.

Published in the Star Post this 6<sup>th</sup> day of November 2024.

**NOTICE OF ALBANY  
CITY COUNCIL WORK SESSION**

The City of Albany City Council will hold a work session with the Friends of North Park at 5:15 o'clock in the evening on Thursday, November 14, 2024, in the council room at 400 Railroad Avenue for the said City.

**AGENDA**

1. Jeremy Mathiasen, City Engineer, and Jeff Ehleringer, Engineer with the firm Stantec
  - Present information related to splash pad construction and operations.
  
2. Adjourn

Gary Winkels  
Administrator/Clerk



Recv. during 11-6-24 Council Meeting

## Splash Pad Budget/Estimates

Items	Estimated Cost	Bids
Splash pad equipment for recirculating system	\$ 180,000.00	\$ 158,138.00
Site Prep (Est. 35,000)	\$ -	\$ -
Installation - Plumber	\$ 45,000.00	\$ 43,000.00
Concrete work	\$ 55,000.00	\$ 48,900.00
Electrical	\$ 12,000.00	\$ 7,650.00
External Shower (in building - drain?)	\$ 3,000.00	\$ -
Water Tank	\$ 12,299.00	\$ 12,299.00
Landscaping/Seeding - trails and sidewalks	\$ 28,000.00	\$ 31,570.00
Miscellaneous - benches (Friends of North Park)	\$ -	\$ -
	<b>\$ 335,299.00</b>	<b>\$ 301,557.00</b>

### Funds Received

Central MN Community Fund	\$ 250,000.00
Teals Market	\$ 10,000.00
Albany Jaycees Previous Year's Allocations	\$ 40,000.00
Albany Jaycees Additional Funding/Friends of North Park	\$ 10,000.00
	<b>\$ 310,000.00</b>

Contingency Fund = \$50,000 Maintenance Fund



## Splash Pad Maintenance Sponsors

1	Albany Chrysler	\$ 5,000.00	pd
2	Husky Spring	\$ 5,000.00	pd
3	Joe Peternel	\$ 5,000.00	pd
4	Preferred Controls	\$ 5,000.00	
5	BB Wheels	\$ 5,000.00	
6	Teals	\$ 5,000.00	
7	Custom Waste	\$ 5,000.00	
8	Ramler Trucking	\$ 5,000.00	
9	Breitbach Construction	\$ 5,000.00	pd
10	Matt Imdieke	\$ 5,000.00	pd



## ESTIMATE #30472

**RECIPIENT:**

BRYAN SCHIFFLER  
ALBANY, MN  
BRYAN@TANIDIVISION.COM

**RESPONDENT:**

RYAN WERLICH  
OFFICE: (888) 445-7246 EXT. 712  
RYANW@RAINDECK.COM



888-445-RAIN



info@RainDeck.com

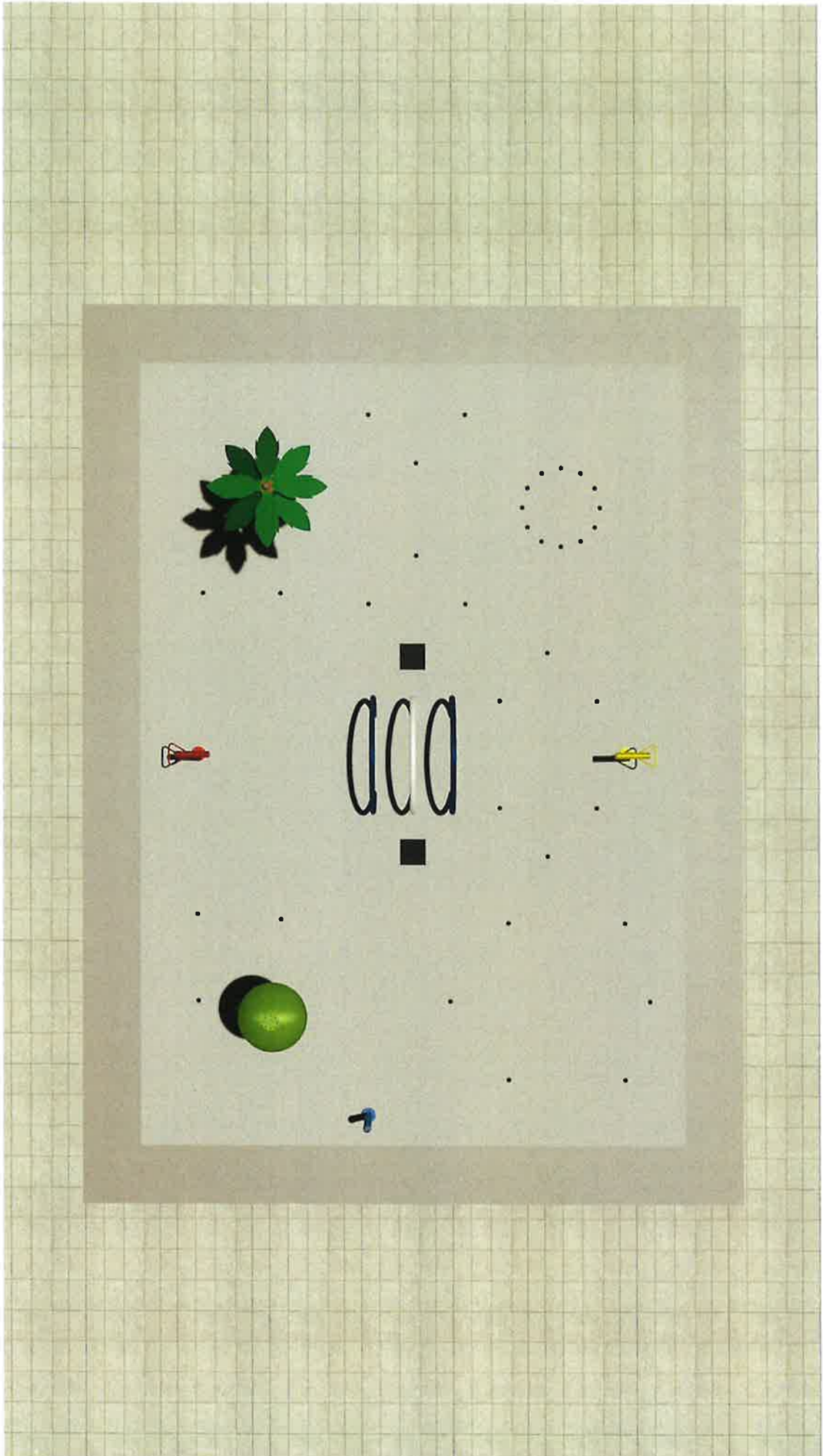


www.RainDeck.com









**Rain Deck, LLC**

20835 S. Ellsworth Rd  
Queen Creek, AZ 85142  
888-445-7246  
www.raindeck.com

INVOICE: #30472

DATE: 01/08/2024

**BILLING ADDRESS**

Bryan Schiffler  
Albany, MN

**SHIPPING ADDRESS**

Bryan Schiffler  
Albany, MN

**SALES REP**

ryan werlich  
ryanw@raindeck.com

PRODUCT	COST	QTY	TOTAL
COMMERCIAL FEATURES / STAINLESS STEEL			
<b>RDS342-0</b> Rain Deck SS Water Loop 6' Set - 3 (RDS342-0)	\$12,503.00	× 1	\$12,503.00
<b>RDS347-0</b> Rain Deck SS Rain Blaster (RDS347-0) w/ SS Footing Base (RDS399-0)	\$6,866.00	× 2	\$13,732.00
<b>RDS303-0</b> Rain Deck SS 60" Water Mushroom (RDS303-0) w/ SS Footing Base (RDS399-0)	\$7,305.00	× 1	\$7,305.00
<b>RDS313-0</b> Rain Deck SS Silly Arms 4 (RDS313-0) w/ SS Footing Base (RDS399-0)	\$9,998.00	× 1	\$9,998.00
<b>RDS324-0</b> Rain Deck SS Misty Pillar (RDS324-0) w/ SS Footing Base (RDS399-0)	\$4,231.00	× 2	\$8,462.00
<b>RDS340-0</b>			



Rain Deck SS Shower Sprayer (RDS340-0) w/ SS Footing Base (RDS399-0)	\$4,800.00	× 1	\$4,800.00
<b>RDS318-0</b> Rain Deck SS Dumping Bucket 5 (RDS318-0) w/ SS Footing Base (RDS399-0)	\$13,072.00	× 1	\$13,072.00
<b>RDS327-0</b> Rain Deck SS Fire Hydrant (RDS327-0) w/ SS Footing Base (RDS399-0)	\$6,090.00	× 1	\$6,090.00
<b>RDS356-0</b> Rain Deck SS Jelly Stick (RDS356-0) w/ SS Footing Base (RDS399-0)	\$3,880.00	× 1	\$3,880.00
<b>GROUND SPRAYS</b>			
<b>RD100-0</b> Rain Deck 3" Nozzle Tool (RD100-0)	\$27.00	× 1	\$27.00
<b>RD102-0</b> Rain Deck 3" Universal Housing (RD102-0)	\$49.00	× 12	\$588.00
<b>RD103-0</b> Rain Deck 3" Adjustable Nozzle (RD103-0)	\$51.00	× 12	\$612.00
<b>FORMED GROUND SPRAYS</b>			
<b>RD131-0</b> Rain Deck 8-Nozzle Line Jet (RD131-0)	\$942.00	× 1	\$942.00
<b>RD129-0</b> Rain Deck 8-Nozzle Ring of Water (RD129-0)	\$1,018.00	× 1	\$1,018.00
<b>FOOTING BASES / SPRAY PLATES</b>			
<b>RDS399-1</b> Pre Cut and Tied Rebar Cages for std Footing Detail (X2)	\$59.00	× 16	\$944.00
<b>ACTIVATORS / TIMERS</b>			



**RDS550-0**

Rain Deck SS Sof-Touch™ Activator w/ SS Footing Base - Post Mounted (RDS550-0)      \$4,231.00      × 3      \$12,693.00

**RD550-1**

Rain Deck Sof-Touch™ Electronic Timer Box - Recirculating (RD550-1)      \$924.00      × 3      \$2,772.00

CONTROLLERS / MANIFOLDS

**RD500-0**

Rain Deck 8 Zone Multi-Program Electronic Controller (RD500-0)      \$1,896.00      × 1      \$1,896.00

**RD503-1**

RD 6+1 Solenoid Manifold - 2" Header w/ Flow Control (1" VALVE) (RD503-1)      \$1,334.00      × 1      \$1,334.00

**RD508-6**

RD 6 Zone Manifold - 3" Header (1.5" BALL VALVE) (RD508-6)      \$1,021.00      × 2      \$2,042.00

HOLDING TANKS / RAIN DIVERTER

**RD427-0**

Rain Deck 3" Bulk-Head Fitting (RD427-0)      \$86.00      × 4      \$344.00

**RD426-0**

Rain Deck 2" Bulk-Head Fitting (RD426-0)      \$26.00      × 2      \$52.00  
Return Line from Recirc Pump; and for Overflow Line

**RD710-0**

Rain Deck 2500/5025 Gallon Holding Tank Aluminum Frame and Poly Manhole Cover (RD710-0)      \$820.00      × 1      \$820.00

PUMPS / FILTERS

**RD618-3**

TR140C Pentair Sand Filter (RD618-3)      \$2,445.00      × 2      \$4,890.00  
*This product may be backordered due to supply constraints*



<b>RD618-1</b> TR140 Pentair Sand Filter Tandem Plumbing Kit (RD618-1)	\$4,714.00	× 1	\$4,714.00
<b>RD630-1</b> 3HP Pentair IntelliFlo VSF XF Variable Speed Flow Pump (RD630-1) <i>This product may be backordered due to supply constraints</i>	\$2,435.00	× 4	\$9,740.00
<b>SANITATION / VALVES / FITTINGS / DRAINS &amp; MORE</b>			
<b>RD428-0</b> 16" x 16" Box Drain - 4" or 6" PVC Connection (RD428-0)	\$194.00	× 6	\$1,164.00
<b>RD428-1</b> 16" x 16" Box Drain Strainer Basket (RD428-1)	\$85.00	× 6	\$510.00
<b>RD420-1</b> Rain Deck 3/4" Auto Water Leveler (RD420-1)	\$74.00	× 1	\$74.00
<b>RD431-0</b> 3" Check Valve (RD431-0)	\$150.00	× 4	\$600.00
<b>RD432-0</b> Rain Deck Chemical Controller NSF (RD432-0)	\$2,246.00	× 1	\$2,246.00
<b>RD433-0</b> Stenner 15 Gal Tank w/ Adjustable Pump	\$1,216.00	× 2	\$2,432.00
<b>RD436-5</b> UV Sanitizer 240A-PVC-CR NSF Certified 133GPM [Crypto](RD436-5)	\$14,228.00	× 1	\$14,228.00
<b>PLANS / PURCHASE WITH CONFIDENCE / OTHER</b>			
<b>RD600-0</b> Splash Pad Layout Plan Set (No Engineering)	\$650.00	× 1	\$650.00
<b>ORDER SUBTOTAL:</b>			<b>\$147,174.00</b>
<b>- SHIPPING:</b>			<b>\$10,964.00</b>



---

**ORDER TOTAL:** **\$158,138.00**

---

**GPM's:** MIN 132 / TYP 266

**Recirculating System:** Although this splash pad is designed with a recirculation system, the splash pad will still have some water loss based on a number of factors including evaporation, carry-off, wind, user load, backwashing etc.

\*Tank removed 11/5/2024\*

\*Pricing Updated as of 10/21/2024\*

Option #2

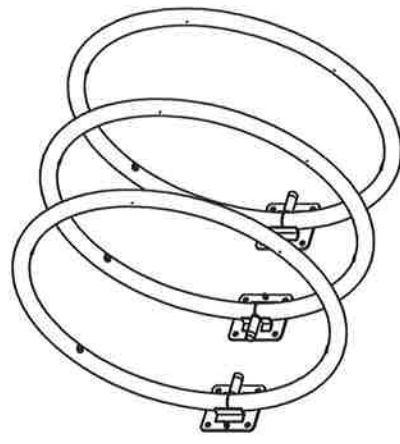
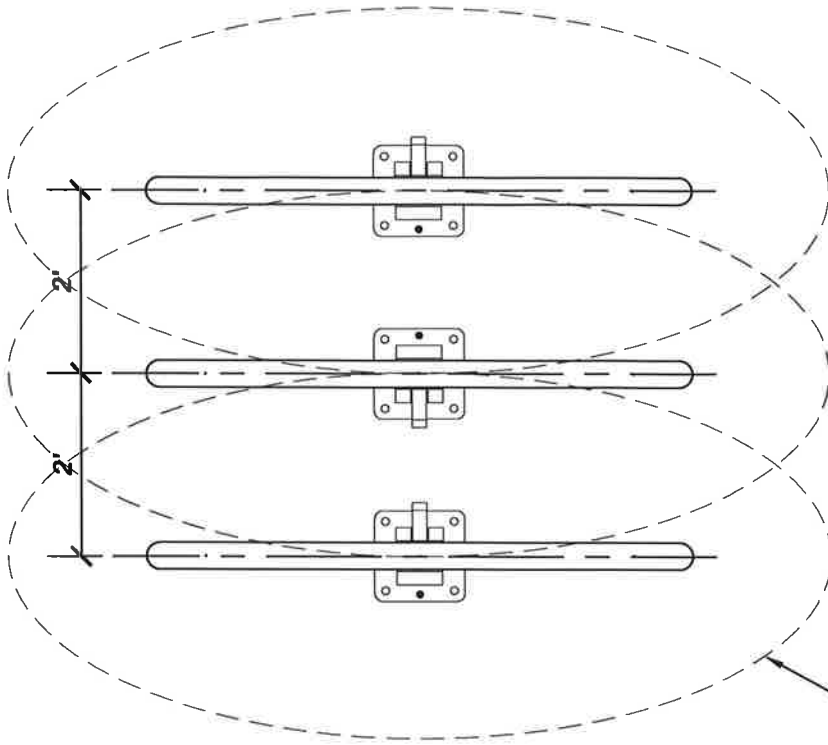
7,000 Sq Ft Recir Splash Pad

\*Client to build their own Water Tower feature. Rain Deck will incorporate this feature in the drawings and plumbing plans\*

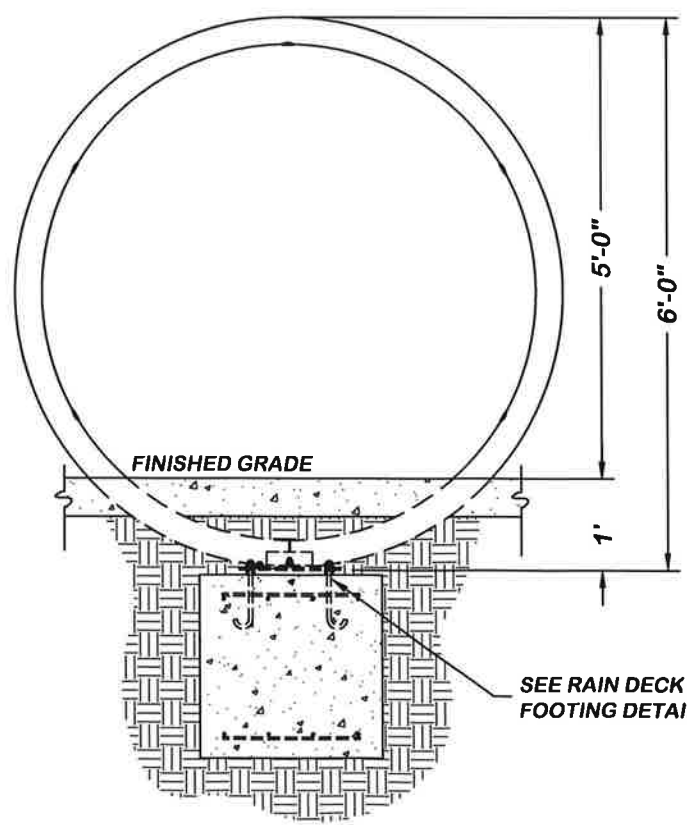
\*NOTE: This sales order is subject to the Rain Deck [Terms and Conditions](#). Rain Deck is not responsible for knowing local code requirements. Client should verify all requirements prior to placing order.



RDS342-0  
SS WATER LOOP SET



SCALE  
N.T.S.



FRONT VIEW

**SPECIFICATIONS:**

- MATERIAL: STAINLESS STEEL
- SURFACE FINISH: POWDER COAT
- WATER PRESSURE: MIN. 10 PSI
- WATER CONSUMPTION: 20-25 GPM

SS WATER LOOP SET  
RDS342-0

SCALE  
1/2"=1'-0"

**RAINDECK**  
Ph. 888.445.RAIN  
Fax. 866.869.3942  
info@raindeck.com

THIS DRAWING IS AN INSTRUMENT OF SERVICE AND THE PROPERTY OF RAIN DECK. USE OF THIS DRAWING AND ALL RIGHTS HEREIN ARE RESERVED AND SHALL NOT BE REPRODUCED OR TRANSMITTED IN ANY FORM OR BY ANY MEANS, ELECTRONIC OR MECHANICAL, INCLUDING PHOTOCOPYING, RECORDING, OR BY ANY INFORMATION STORAGE AND RETRIEVAL SYSTEM, WITHOUT THE WRITTEN PERMISSION OF RAIN DECK, WHERE A CONTRACTOR'S NAME APPEARS ON THIS DRAWING, IT IS THE PROPERTY OF SAID CONTRACTOR EXCEPT BY AGREEMENT WITH SAID CONTRACTOR.

REV.	DATE	BY	DESCRIPTION
1			
2			
3			
4			
5			

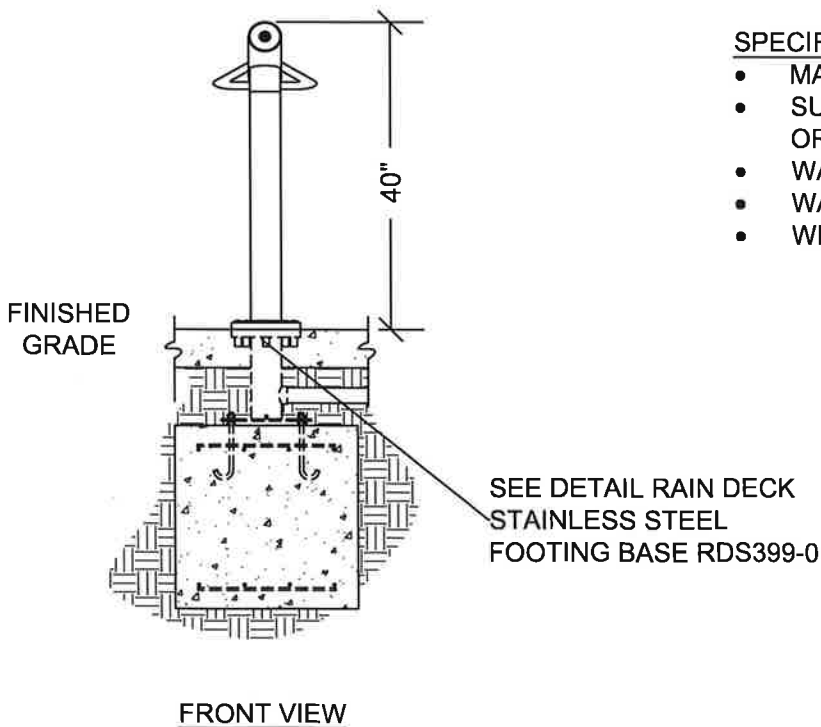
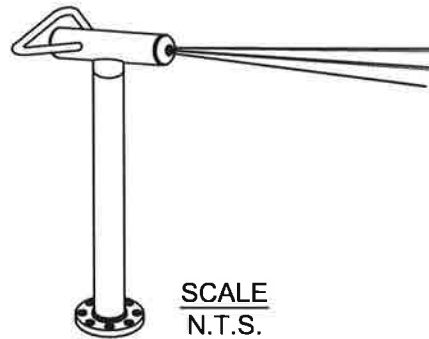
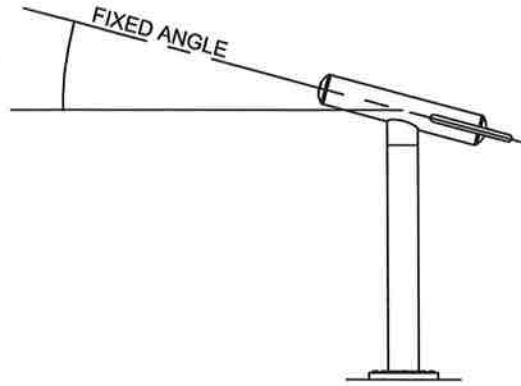
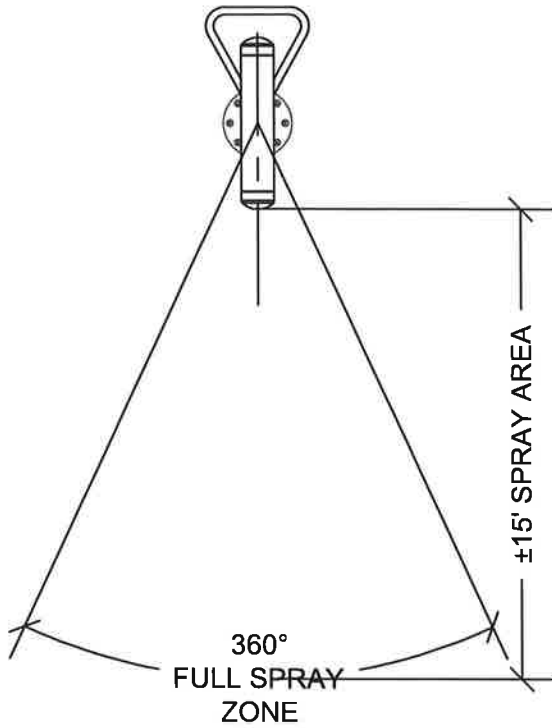
RAIN DECK  
WATER LOOP SET

SEAL

DATE

DRAWN BY	RS	REVIEWED BY	RV
DATE	MAY 2017		
SHEET			
MFR#	RDS342-0		

RDS347-0  
SS RAIN BLASTER



SS RAIN BLASTER  
RDS347-0

SPECIFICATIONS:

- MATERIAL: STAINLESS STEEL
- SURFACE FINISH: POWDER COAT OR POLISHED SURFACE
- WATER PRESSURE: MIN. 5 PSI
- WATER CONSUMPTION: 5-15 GPM
- WET AREA: ±6' - 8' DIRECTIONAL

**RAINDECK**  
Ph. 888.445.RAIN  
Fax. 866.869.3942  
info@raindeck.com

THIS DRAWING IS AN INSTRUMENT OF SERVICE AND THE PROPERTY OF RAIN DECK. USE OF THIS DRAWING AND ALL RIGHTS RESERVED TO THE ORIGINAL SITE FOR WHICH IT WAS PREPARED AND SHALL NOT BE REPRODUCED, COPIED, REPRODUCED, OR APPLIED TO ANY OTHER PROJECT WITHOUT THE WRITTEN PERMISSION OF RAIN DECK, WHERE A CONTRACTOR'S NAME APPEARS ON THIS DRAWING, IT IS THE PROPERTY OF RAIN DECK BY SAID CONTRACTOR EXCEPT BY AGREEMENT WITH SAME CONTRACTOR.

REV.	DATE	BY	DESCRIPTION
1			
2			
3			
4			
5			

**RAIN DECK**  
**SS RAIN BLASTER**

SEAL

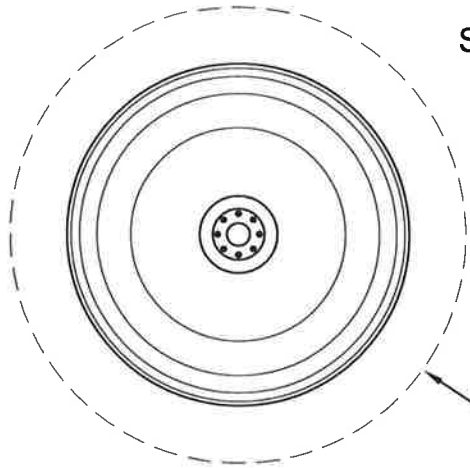
DATE

DRAWN BY RS	REVIEWED BY RV
DATE MAY 2017	
SHEET	
MFR# RDS347-0	

SCALE  
1/2"=1'-0"

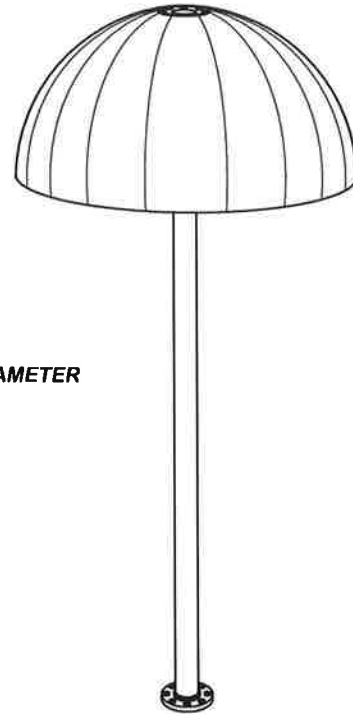


RDS303-0  
SS 60" WATER MUSHROOM

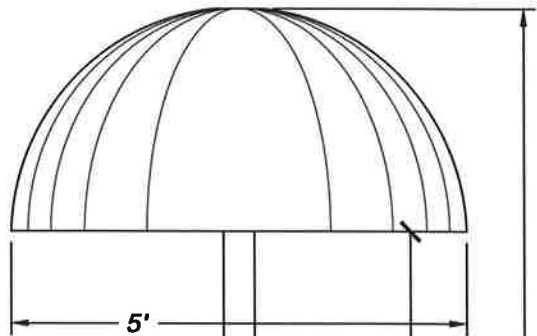


**TOP VIEW**

WET AREA ±9' DIAMETER



SCALE  
N.T.S.

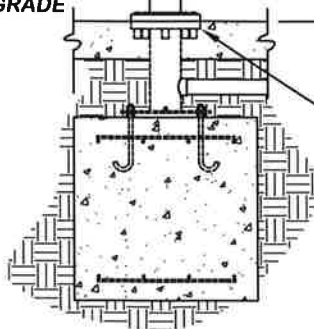


4" Ø STAINLESS STEEL

8'-0"

10'

FINISHED GRADE



SEE DETAIL RAIN DECK  
STAINLESS STEEL  
FOOTING BASE RDS399-0

**SPECIFICATIONS:**

- MATERIAL: STAINLESS STEEL
- SURFACE FINISH: POWDER COAT
- WATER PRESSURE: MIN. 5 PSI
- WATER CONSUMPTION: 10-90 GPM

FIBERGLASS CANOPY  
AVAILABLE IN 40" AND 60" DIA.

SS 60" WATER  
MUSHROOM  
RDS303-0

**FRONT VIEW**

SCALE  
1/2"=1'-0"

**RAINDECK**  
Ph. 888.445.RAIN  
Fax. 866.869.3942  
info@raindeck.com

THIS DRAWING IS AN INSTRUMENT OF SERVICE AND THE PROPERTY OF RAINDECK. IT IS TO BE USED ONLY FOR THE PROJECT AND SITE SPECIFICALLY IDENTIFIED IN THE TITLE BLOCK. ANY REPRODUCTION OR MODIFICATION OF THIS DRAWING WITHOUT THE WRITTEN PERMISSION OF RAINDECK IS STRICTLY PROHIBITED. RAINDECK SHALL BE RESPONSIBLE FOR THE ACCURACY OF THE INFORMATION PROVIDED IN THIS DRAWING. THE USER OF THIS DRAWING SHALL BE RESPONSIBLE FOR VERIFYING THE INFORMATION PROVIDED IN THIS DRAWING WITH THE APPROPRIATE AUTHORITIES. RAINDECK SHALL NOT BE RESPONSIBLE FOR ANY DAMAGE OR INJURY TO PERSONS OR PROPERTY ARISING FROM THE USE OF THIS DRAWING. RAINDECK SHALL NOT BE RESPONSIBLE FOR ANY DAMAGE OR INJURY TO PERSONS OR PROPERTY ARISING FROM THE USE OF THIS DRAWING. RAINDECK SHALL NOT BE RESPONSIBLE FOR ANY DAMAGE OR INJURY TO PERSONS OR PROPERTY ARISING FROM THE USE OF THIS DRAWING.

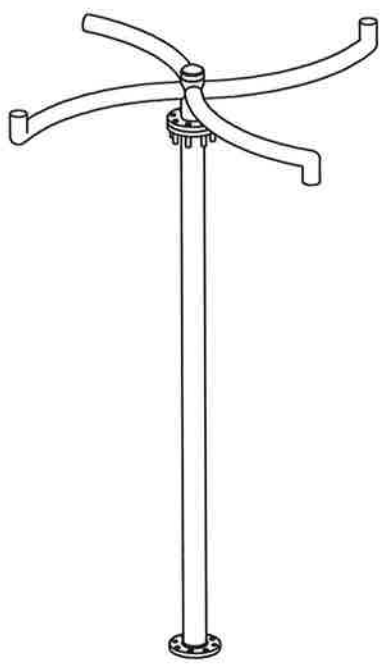
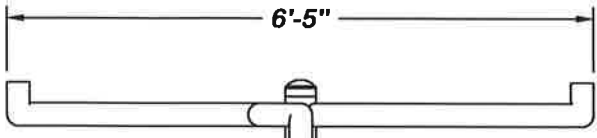
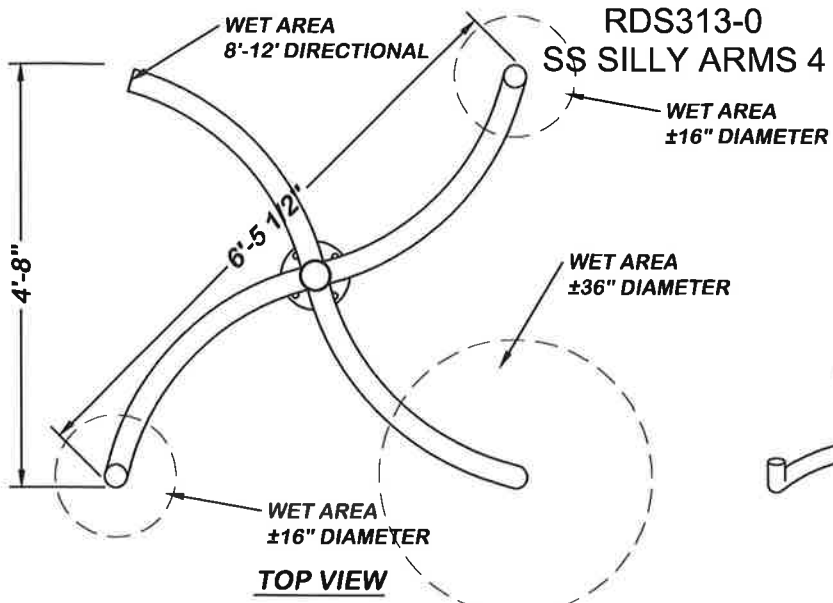
REV.	DATE	BY	DESCRIPTION
A			
A			
A			
A			
A			

**RAIN DECK**  
**SS 60" WATER MUSHROOM**

SEAL

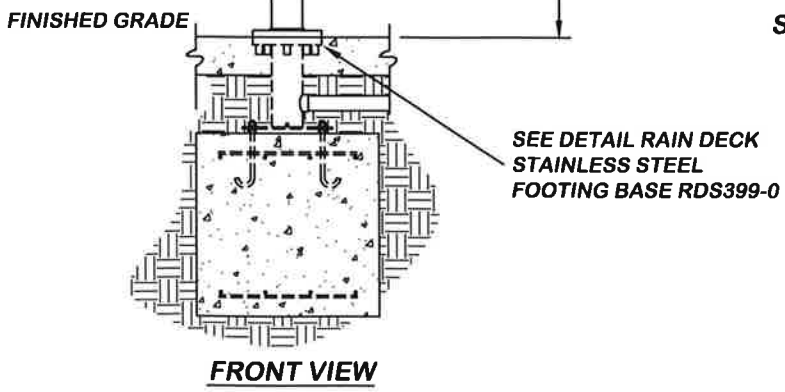
DATE

DRAWN BY RS	REVIEWED BY RV
DATE MAY 2017	
SHEET	
MFR# RDS303-0	



SCALE  
N.T.S.

- SPECIFICATIONS:**
- MATERIAL: STAINLESS STEEL
  - SURFACE FINISH: POWDER COAT
  - WATER PRESSURE: MIN. 5 PSI
  - WATER CONSUMPTION: 20-80GPM



**FRONT VIEW**

SCALE  
1/2"=1'-0"

**RAINDECK**  
Ph. 888.445.RAIN  
Fax. 866.869.3942  
info@raindeck.com

THIS DRAWING IS AN INSTRUMENT OF SERVICE AND THE PROPERTY OF RAIN DECK. USE OF THIS DRAWING AND ALL INFORMATION CONTAINED HEREIN IS RESTRICTED TO THE ORIGINAL SITE FOR WHICH IT WAS PREPARED AND SHALL NOT BE REPRODUCED, COPIED, REPRODUCED, OR TRANSMITTED IN ANY FORM OR BY ANY MEANS, ELECTRONIC OR MECHANICAL, INCLUDING PHOTOCOPYING, RECORDING, OR BY ANY INFORMATION STORAGE AND RETRIEVAL SYSTEM. ANY REPRODUCTION OR TRANSMISSION OF THIS DRAWING BY ANY METHOD IN WHOLE OR IN PART WITHOUT THE WRITTEN CONSENT OF RAIN DECK SHALL BE PROHIBITED. CONTRACTORS SHALL BE COMPLETED BY THE ORIGINAL CONTRACTOR AND SHALL BE IDENTIFIED BY THE ORIGINAL CONTRACTOR.

REV.	DATE	BY	DESCRIPTION
Δ			
Δ			
Δ			
Δ			

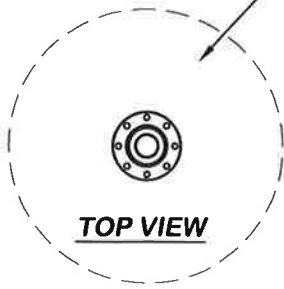
**RAIN DECK**  
**SS SILLY ARMS 4**

SEAL
DATE

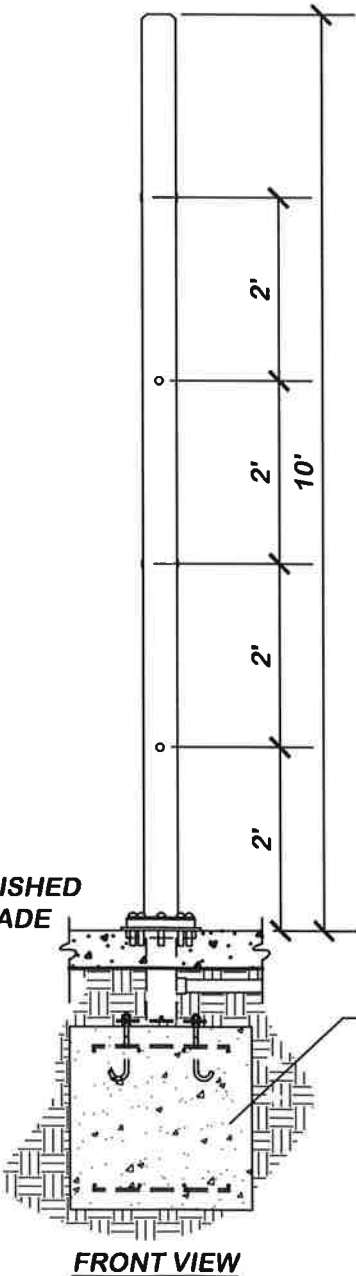
DRAWN BY RS	REVIEWED BY RV
DATE MAY 2017	
SHEET	
MFR# RDS313-0	

RDS324-0  
SS MISTY PILLAR

MIST AREA ±6' DIAMETER

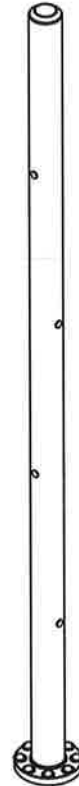


TOP VIEW



FRONT VIEW

SEE DETAIL RAIN DECK  
STAINLESS STEEL  
FOOTING BASE RDS399-0



SCALE  
N.T.S.

**SPECIFICATIONS:**

- MATERIAL: STAINLESS STEEL
- SURFACE FINISH: POWDER COAT
- WATER PRESSURE: MIN. 10 PSI
- WATER CONSUMPTION: 12-16 GPM

SS MISTY PILLAR  
RDS324-0

Ph. 888.445.RAIN  
Fax. 866.869.3942  
info@raindeck.com

THIS DRAWING IS AN INSTRUMENT OF SERVICE AND THE PROPERTY OF RAIN DECK. USE OF THIS DRAWING AND ALL RIGHTS HEREIN ARE RESERVED AND RESTRICTED TO THE ORIGINAL SITE FOR WHICH IT WAS PREPARED AND SHALL NOT BE REPRODUCED, COPIED, REPRODUCED OR APPROVED. PUBLICATION OF THIS DRAWING BY ANY METHOD IN WHOLE OR IN PART IS PROHIBITED. RAIN DECK, RAIN DECK CONTRACTORS NAME APPEARS ON THIS DRAWING. WORKS SHALL BE COMPLETED BY THE CONTRACTOR IN ACCORDANCE WITH THE CONTRACT AND IN ACCORDANCE WITH THE SAME CONTRACTOR.

REV.	DATE	BY	DESCRIPTION
△			
△			
△			
△			
△			

**RAIN DECK**  
**SS MISTY PILLAR**

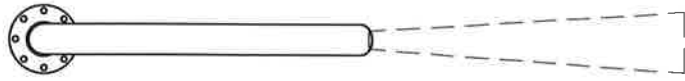
SEAL

DATE

DRAWN BY RS	REVIEWED BY RV
DATE MAY 2017	
SHEET	
MFR# RDS324-0	

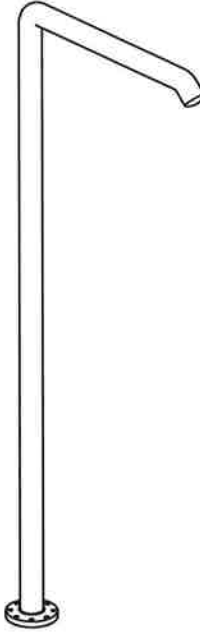
SCALE  
1/2"=1'-0"

RDS340-0  
SS SHOWER SPRAYER

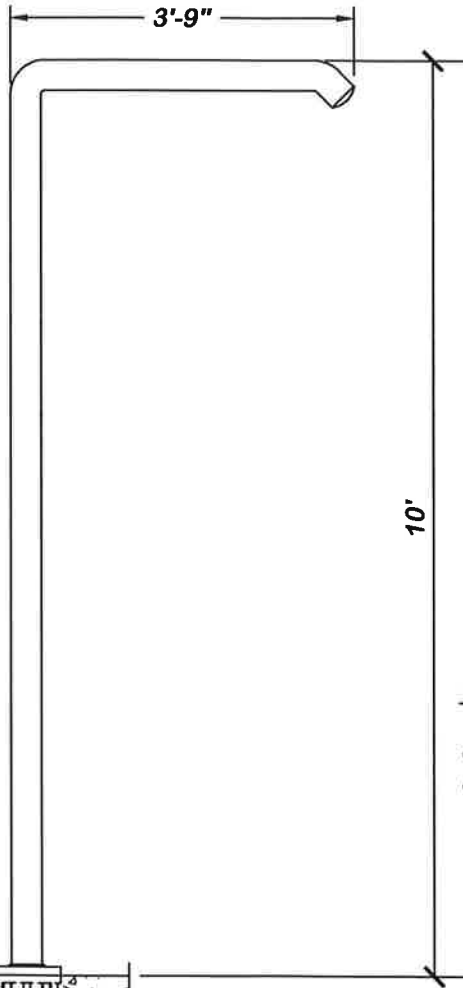


**TOP VIEW**

WET AREA ±10' - 12' DIRECTIONAL  
EACH ARM



**SCALE**  
N.T.S.



**FRONT VIEW**

SEE DETAIL RAIN DECK  
STAINLESS STEEL  
FOOTING BASE RDS399-0

**SS SHOWER SPRAYER**  
RDS340-0

**SPECIFICATIONS:**

- MATERIAL: STAINLESS STEEL
- SURFACE FINISH: POWDER COAT
- WATER PRESSURE: MIN. 5 PSI
- WATER CONSUMPTION: 5-20 GPM

**RAINDECK**  
Ph. 888.445.RAIN  
Fax. 866.869.3942  
info@raindeck.com

THIS DRAWING IS AN INSTRUMENT OF SERVICE AND THE PROPERTY OF RAIN DECK. USE OF THIS DRAWING AND ALL INFORMATION CONTAINED HEREIN IS RESTRICTED TO THE ORIGINAL SITE FOR WHICH IT WAS PREPARED AND SHALL NOT BE REPRODUCED, COPIED, REPRODUCED, APPROVED, PUBLICATION OF THIS DRAWING BY ANY METHOD IN WHOLE OR IN PART WITHOUT THE WRITTEN PERMISSION OF RAIN DECK. WHERE A CONTRACTOR'S NAME APPEARS ON THIS DRAWING, IT IS THE PROPERTY OF SAID CONTRACTOR EXCEPT BY AGREEMENT WITH SAID CONTRACTOR.

REV.	DATE	BY	DESCRIPTION
1			
2			
3			
4			
5			

**RAIN DECK**  
**SS SHOWER SPRAYER**

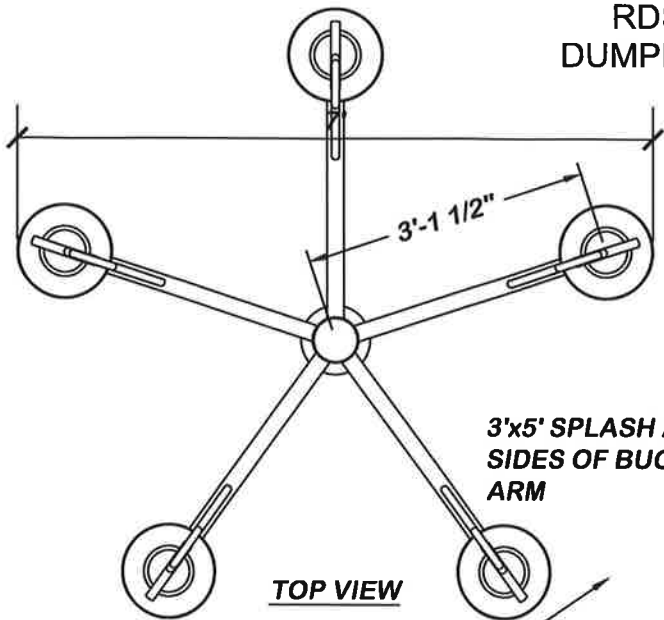
SEAL

DATE

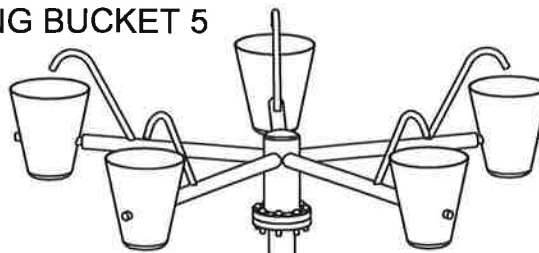
DRAWN BY	RS	REVIEWED BY	RV
DATE	may 2017		
SHEET			
MFR#	RDS340-0		

**SCALE**  
1/2"=1'-0"

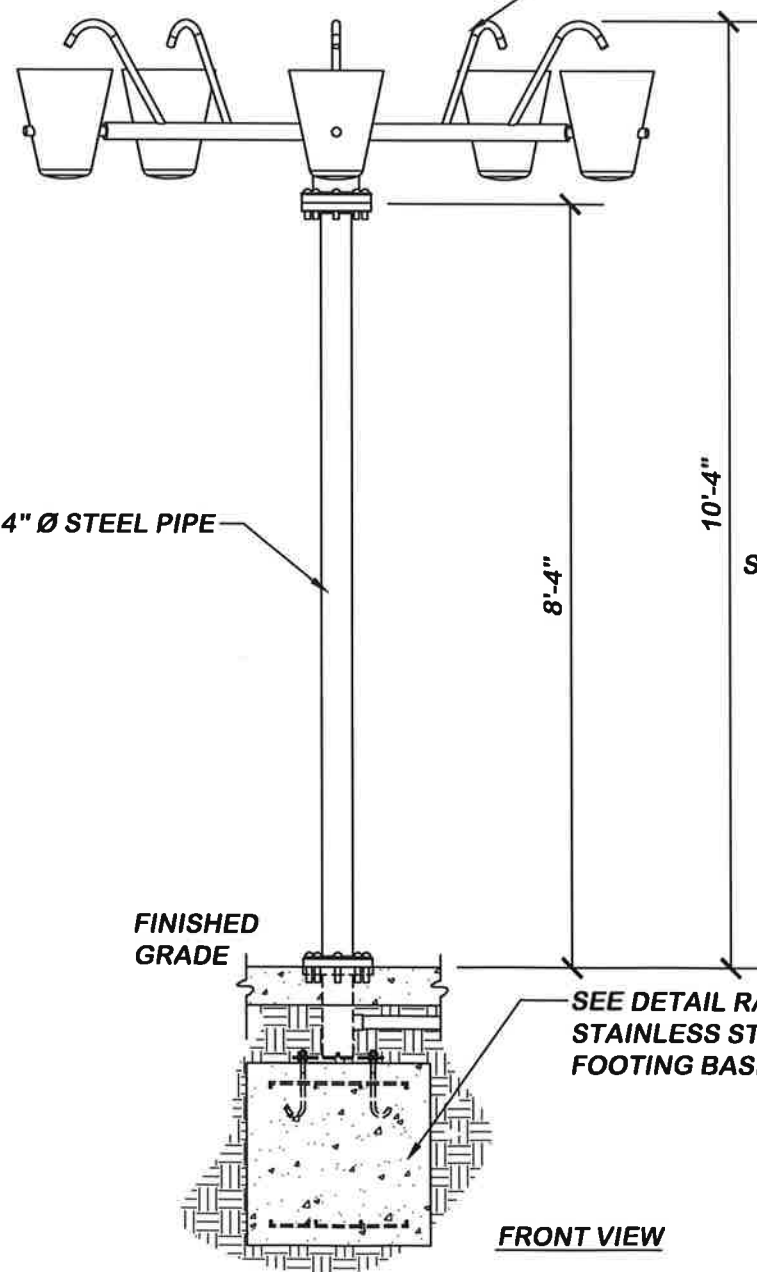
RDS318-0 - SS  
DUMPING BUCKET 5



TOP VIEW



3'x5' SPLASH AREA ON BOTH  
SIDES OF BUCKET, EACH  
ARM



4" Ø STEEL PIPE

8'-4"

10'-4"

SPECIFICATIONS:

- MATERIAL: STAINLESS STEEL
- SURFACE FINISH: POWDER COAT
- WATER PRESSURE: 3-5 PSI
- WATER CONSUMPTION: 25-50 GPM

SS DUMPING BUCKET 5  
RDS318-0

SEE DETAIL RAIN DECK  
STAINLESS STEEL  
FOOTING BASE RDS399-0

FRONT VIEW

SCALE  
N.T.S.

SCALE  
1/2"=1'-0"

Ph. 888.445.RAIN  
Fax. 866.869.3942  
info@raindeck.com

THIS DRAWING IS AN INSTRUMENT OF SERVICE AND THE PROPERTY OF RAIN DECK. USE OF THIS DRAWING FOR ANY OTHER PROJECT IS STRICTLY RESTRICTED TO THE ORIGINAL SITE FOR WHICH IT WAS PREPARED AND SHALL NOT BE REPRODUCED, COPIED, REPRODUCED, REVISED OR OTHERWISE USED WITHOUT THE WRITTEN PERMISSION OF RAIN DECK. WHERE A CONTRACTOR'S NAME APPEARS ON THIS DRAWING, IT IS THE PROPERTY OF SAID CONTRACTOR EXCEPT BY AGREEMENT WITH SAID CONTRACTOR.

REV.	DATE	BY	DESCRIPTION
Δ			
Δ			
Δ			
Δ			

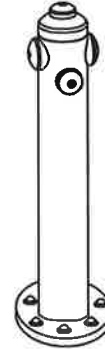
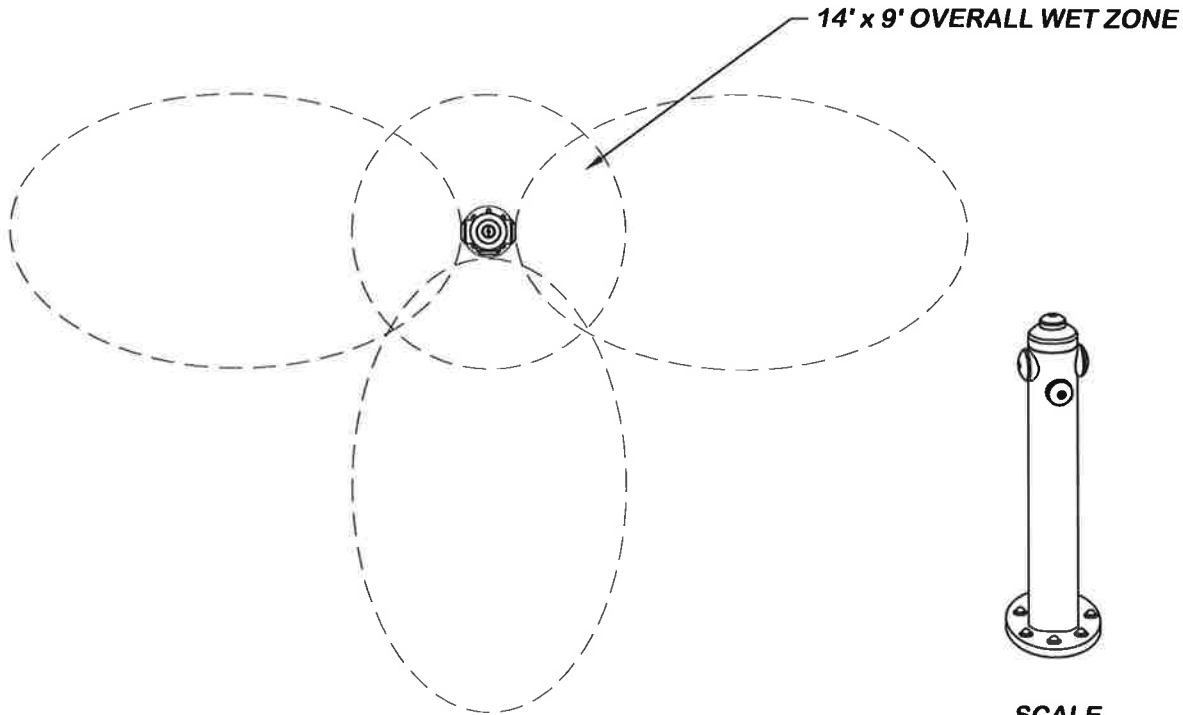
RAIN DECK  
SS DUMPING BUCKET 5

SEAL

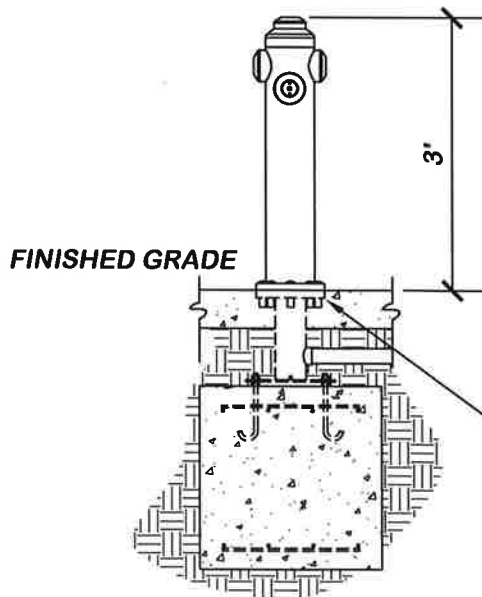
DATE

DRAWN BY	RS	REVIEWED BY	RV
DATE	MAY 2017		
SHEET			
MFR#	RDS318-0		

**RDS327-0  
FIRE HYDRANT**



**SCALE**  
**N.T.S.**



**FRONT VIEW**

**SPECIFICATIONS:**

- **MATERIAL: STAINLESS STEEL**
- **SURFACE FINISH: POWDER PAINT**
- **WATER PRESSURE: 15 PSI**
- **WATER CONSUMPTION: 25 GPM**

**SS FIRE HYDRANT  
RDS327-0**

**SEE DETAIL RAIN DECK  
STAINLESS STEEL  
FOOTING BASE RDS399-0**

**SCALE**  
**1/2"=1'-0"**

**RAINDECK**  
Ph. 888.445.RAIN  
Fax. 866.869.3942  
info@raindeck.com

THIS DRAWING IS AN INSTRUMENT OF SERVICE AND THE PROPERTY OF RAINDECK. IT IS TO BE USED ONLY FOR THE PROJECT AND SITE SPECIFICALLY IDENTIFIED HEREIN. IT IS NOT TO BE REPRODUCED, COPIED, OR TRANSMITTED IN ANY FORM OR BY ANY MEANS, ELECTRONIC OR MECHANICAL, WITHOUT THE WRITTEN PERMISSION OF RAIN DECK. WHERE A CONTRACTOR OR ARCHITECT HAS BEEN IDENTIFIED BY THIS DRAWING, THE USER OF THIS DRAWING AGREES TO HOLD RAIN DECK HARMLESS FROM ANY AND ALL LIABILITY ARISING OUT OF THE USE OF THIS DRAWING BY SAID CONTRACTOR EXCEPT BY AGREEMENT WITH SAID CONTRACTOR.

REV.	DATE	BY	DESCRIPTION
1			
2			
3			
4			
5			

**RAIN DECK  
FIRE HYDRANT**

SEAL

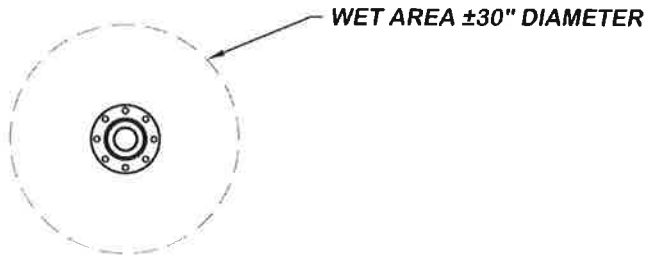
DATE

DRAWN BY	REVIEWED BY
RS	RV
DATE	
	MAY 2017
SHEET	
MFR#	RDS327-0

RDS356-0  
SS JELLY STICK

**RAINDECK**  
Ph. 888.445.RAIN  
Fax. 866.869.3942  
info@raindeck.com

THIS DRAWING IS AN INSTRUMENT OF SERVICE AND THE PROPERTY OF RAINDECK. USE OF THIS DRAWING AND ALL INFORMATION CONTAINED HEREIN IS RESTRICTED TO THE ORIGINAL SITE WORK WHICH IT WAS PREPARED AND SHALL NOT BE REPRODUCED, COPIED, REPRODUCED AND APPLIED IN ANY MANNER WITHOUT THE WRITTEN APPROVAL OF RAINDECK. ANY CHANGES BY ANY METHOD IN WHOLE OR IN PART SHALL BE THE RESPONSIBILITY OF THE CONTRACTOR. CONTRACTOR'S NAME APPEAR ON THIS DRAWING SHALL BE THE PROPERTY OF RAINDECK. RAINDECK SHALL NOT BE RESPONSIBLE FOR ANY DAMAGE TO THE CONTRACTOR'S PROPERTY OR PERSONNEL OR TO ANY OTHER PARTY'S PROPERTY OR PERSONNEL CAUSED BY CONTRACTOR'S NEGLIGENCE OR MISFEASANCE.

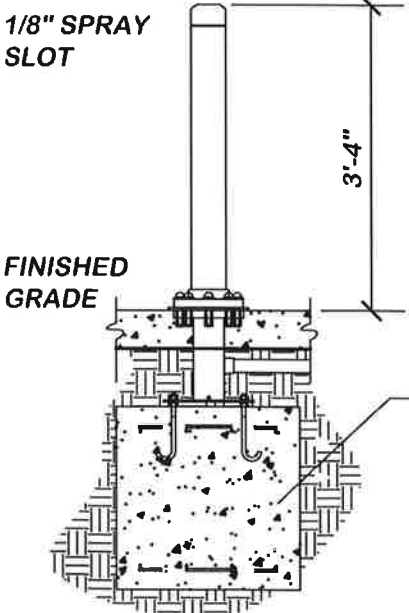


TOP VIEW



SCALE  
N.T.S.

REV.	DATE	BY	DESCRIPTION
△			
△			
△			
△			



FRONT VIEW

- SPECIFICATIONS:**
- MATERIAL: STAINLESS STEEL
  - SURFACE FINISH: POWDER COAT
  - WATER PRESSURE: MIN. 5 PSI
  - WATER CONSUMPTION: 5-20 GPM

JELLY STICK  
RDS356-0

SEE DETAIL RAIN DECK  
STAINLESS STEEL  
FOOTING BASE RDS399-0

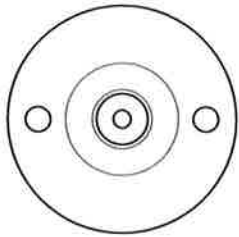
SCALE  
1/2"=1'-0"

**RAIN DECK  
SS JELLY STICK**

SEAL

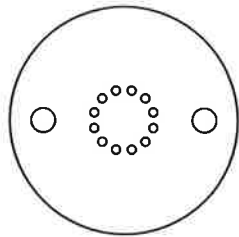
DATE

DRAWN BY	RS	REVIEWED BY	RV
DATE	MAY 2017		
SHEET			
MFR#	RDS356-0		



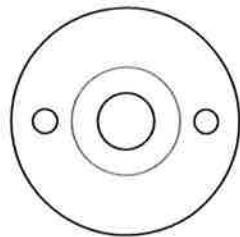
**ADJUSTABLE NOZZLE**  
RD103-0

- WATER PRESSURE: 3 - 5 PSI
- WATER CONSUMPTION: 1.5 GPM TYP (1.0 MIN / 2.0 MAX)
- EFFECTIVE RANGE: MAX 10' DIRECTIONAL



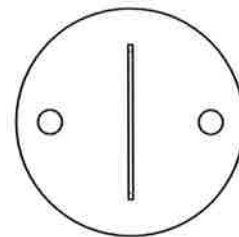
**SHOWER NOZZLE**  
RD104-0

- WATER PRESSURE: 3 - 5 PSI
- WATER CONSUMPTION: 4.5 GPM TYP (3.5 MIN / 5.0 MAX)
- EFFECTIVE RANGE: MAX 10' DIAMETER



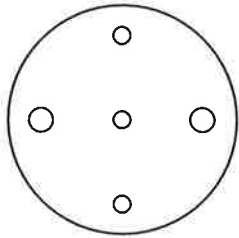
**BUBBLER NOZZLE**  
RD105-0

- WATER PRESSURE: 3 - 5 PSI
- WATER CONSUMPTION: 3.2 GPM TYP (2.5 MIN / 6.0 MAX)
- EFFECTIVE RANGE: MAX 6' DIAMETER



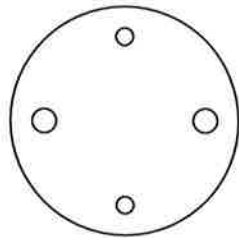
**FAN NOZZLE**  
RD106-0

- WATER PRESSURE: 3 - 5 PSI
- WATER CONSUMPTION: 3.2 GPM TYP (2.5 MIN / 6.0 MAX)
- EFFECTIVE RANGE: MAX 12' LONG x 6' WIDE



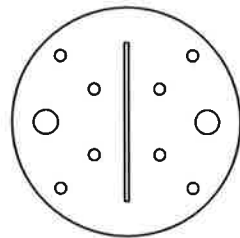
**TRIPLE SHOOTER NOZZLE**  
RD110-0

- WATER PRESSURE: 3 - 5 PSI
- WATER CONSUMPTION: 5.0 GPM TYP (4.5 MIN / 6.0 MAX)
- EFFECTIVE RANGE: MAX 8' DIAMETER



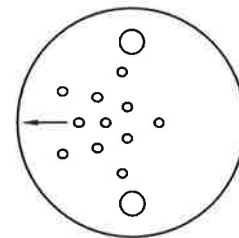
**DUEL NOZZLE**  
RD112-0

- WATER PRESSURE: 3 - 5 PSI
- WATER CONSUMPTION: 3.5 GPM TYP (2.5 MIN / 5.5 MAX)
- EFFECTIVE RANGE: MAX 8' DIAMETER



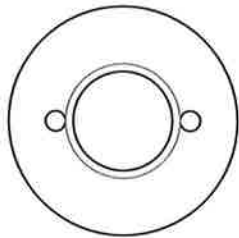
**"X" FACTOR NOZZLE**  
RD113-0

- WATER PRESSURE: 3 - 5 PSI
- WATER CONSUMPTION: 6.5 GPM TYP (5.5 MIN / 7.5 MAX)
- EFFECTIVE RANGE: MAX 8' DIAMETER



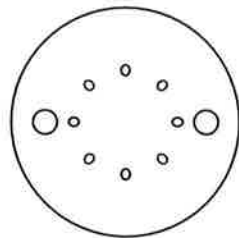
**ROOSTER TAIL NOZZLE**  
RD114-0

- WATER PRESSURE: 3 - 5 PSI
- WATER CONSUMPTION: 5.0 GPM TYP (3.0 MIN / 7.0 MAX)
- EFFECTIVE RANGE: MAX 14' LONG x 6' WIDE



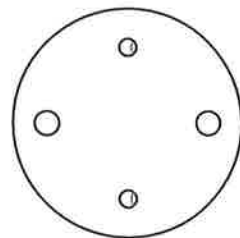
**TULIP NOZZLE**  
RD115-0

- WATER PRESSURE: 3 - 5 PSI
- WATER CONSUMPTION: 8.0 GPM TYP (6.5 MIN / 12.0 MAX)
- EFFECTIVE RANGE: MAX. 8' DIAMETER



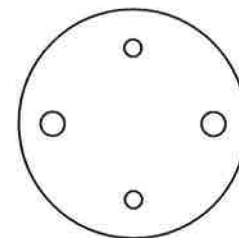
**SPIDER NOZZLE**  
RD116-0

- WATER PRESSURE: 3 - 5 PSI
- WATER CONSUMPTION: 4.6 GPM TYP (2.5 MIN / 7.0 MAX)
- EFFECTIVE RANGE: MAX 10' DIAMETER



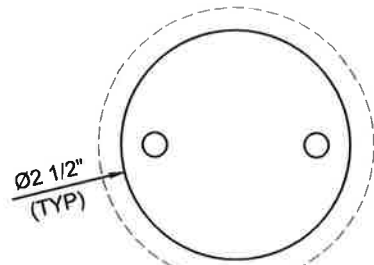
**VIPER NOZZLE**  
RD117-0

- WATER PRESSURE: 3 - 5 PSI
- WATER CONSUMPTION: 3.5 GPM TYP (2.5 MIN / 5.5 MAX)
- EFFECTIVE RANGE: MAX 8' LONG x 6' WIDE

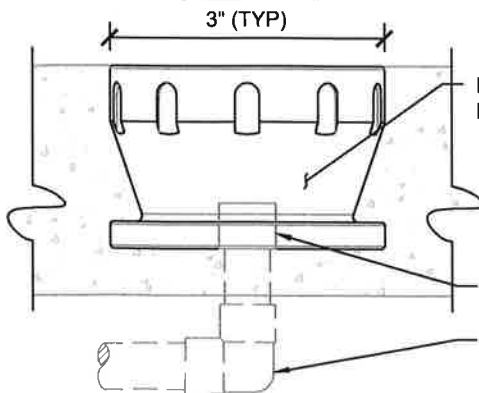


**SPLITTER NOZZLE**  
RD118-0

- WATER PRESSURE: 3 - 5 PSI
- WATER CONSUMPTION: 3.5 GPM TYP (2.5 MIN / 5.5 MAX)
- EFFECTIVE RANGE: MAX 8' LONG x 6' WIDE



**TOP VIEW**

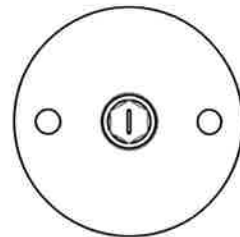


**FRONT VIEW**

RAIN DECK HOUSING RD102-0  
HOUSING MATERIALS:  
UHMW, UPVC, ALUMINUM,  
BRASS, OR STAINLESS  
STEEL

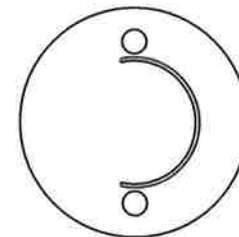
1/2" INLET (TYP)

MIN. 1/2" WATER  
SUPPLY (TYP)



**MISTY NOZZLE**  
RD119-0

- WATER PRESSURE: 3 - 5 PSI
- WATER CONSUMPTION: 0.6 GPM TYP (0.3 MIN / 1.0 MAX)
- EFFECTIVE RANGE: MAX 10' DIAMETER



**WAVE NOZZLE**  
RD120-0

- WATER PRESSURE: 3 - 5 PSI
- WATER CONSUMPTION: 4.0 GPM TYP (4.3 MIN / 6.5 MAX)
- EFFECTIVE RANGE: MAX 8' x 5' x 2'

**NOZZLE SPECIFICATIONS:**

- MATERIALS: DELRIN, ALUMINUM, BRASS, OR STAINLESS STEEL
- SS AND BRASS: 3/4" THREADED INLET
- WATER PRESSURE: AS NOTED
- WATER CONSUMPTION: AS NOTED
- EFFECTIVE RANGE: AS NOTED

C:\Project\Base files\RD\_logo\_no ribbon.jpg  
7319 S. AIWOOD STE 130 - MESA, AZ 85212  
Ph: 888.445.RAIN Fax: 866.869.9942  
info@raindeck.com

THIS DRAWING IS AN INSTRUMENT OF SERVICE AND THE PROPERTY OF RAIN DECK. USE OF THIS DRAWING AND ALL REPRODUCTIONS THEREOF FOR ANY PURPOSE OTHER THAN THAT FOR WHICH IT WAS PREPARED AND SHALL NOT BE USED UNLESS PROPERLY SEALED AND SIGNED BY THE ORIGINAL DESIGNER. ANY METHOD IN WHOLE OR IN PART IS PROHIBITED WITHOUT PERMISSION OF RAIN DECK. ANY REVISIONS TO THIS DRAWING SHALL BE COMPLETED BY SAID CONTRACTOR EXCEPT BY AGREEMENT WITH SAID CONTRACTOR.

REV.	DATE	BY	DESCRIPTION

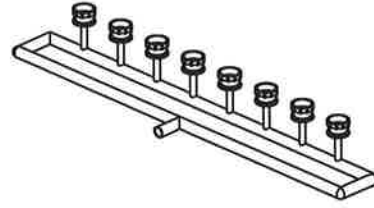
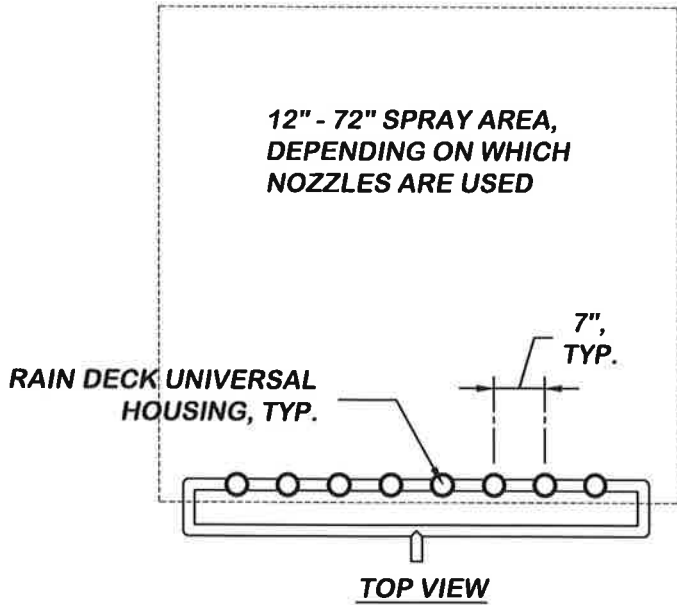
**RAINDECK**  
RD102-0 HOUSING AND NOZZLES

SEAL  
DATE

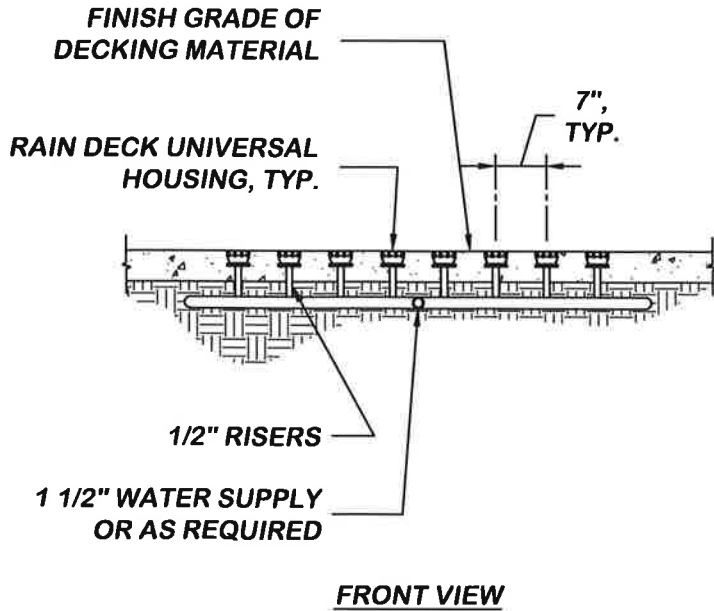
DRAWN BY <b>AJM</b>	REVIEWED BY <b>LB</b>
DATE <b>02-26-2020</b>	
<b>RD102-0</b>	
SCALE 1/2" = 1'-0"	



RD131-0  
8-NOZZLE LINE JET



SCALE  
N.T.S.



**SPECIFICATIONS:**

- MATERIAL: PIPE - SCH 40 PVC
- WATER PRESSURE: MIN. 5 PSI
- WATER CONSUMPTION: 16-40 GPM
- EFFECTIVE RANGE: 1'-6' (USING ADJUSTABLE NOZZLES)

8-NOZZLE LINE JET  
RD131-0

Ph. 888.445.RAIN  
Fax. 866.869.3942  
info@raindeck.com

THIS DRAWING IS AN INSTRUMENT OF SERVICE AND THE PROPERTY OF RAIN DECK. USE OF THIS DRAWING AND ALL INFORMATION CONTAINED HEREIN IS RESTRICTED TO THE ORIGINAL SITE FOR WHICH IT WAS PREPARED AND SHALL NOT BE REPRODUCED, COPIED, REPRODUCED AND TRANSMITTED IN ANY FORM OR BY ANY MEANS, ELECTRONIC OR MECHANICAL, INCLUDING PHOTOCOPYING, RECORDING, OR BY ANY INFORMATION STORAGE AND RETRIEVAL SYSTEM. WITHOUT THE WRITTEN PERMISSION OF RAIN DECK. ANY REPRODUCTION OF THIS DRAWING BY ANY METHOD IN WHOLE OR IN PART WITHOUT THE WRITTEN PERMISSION OF RAIN DECK SHALL BE CONSIDERED A VIOLATION OF THE COPYRIGHT AND TRADE SECRET LAWS. CONTRACTORS NAME APPEAR ON THIS DRAWING WORK SHALL BE COMPLETELY BY THE CONTRACTOR. NOT BE RESPONSIBLE WITH SAME CONTRACTOR.

REV.	DATE	BY	DESCRIPTION
△			
△			
△			
△			

**RAIN DECK**  
**8-NOZZLE LINE JET**

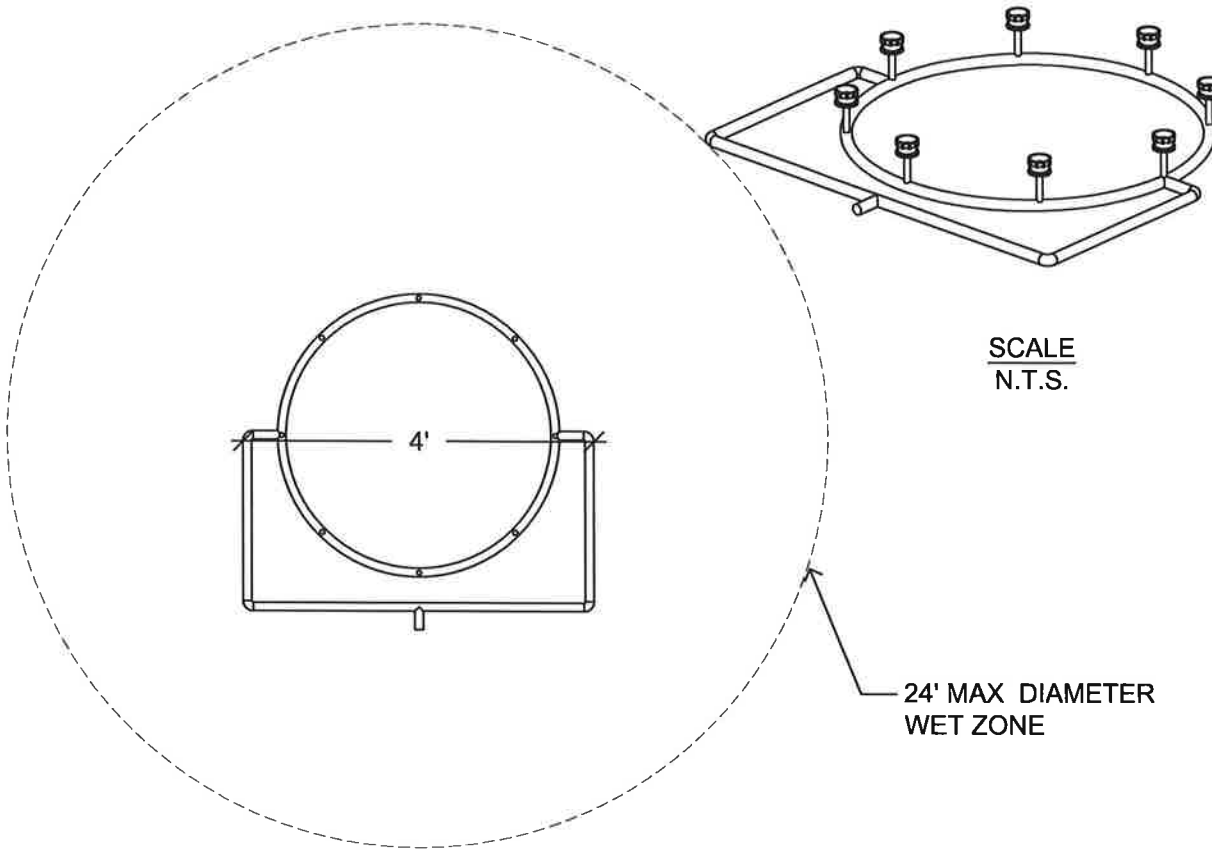
SEAL

DATE

DRAWN BY	REVIEWED BY
RS	RV
DATE	
MAY 2017	
SHEET	
MFR#	
RD131-0	

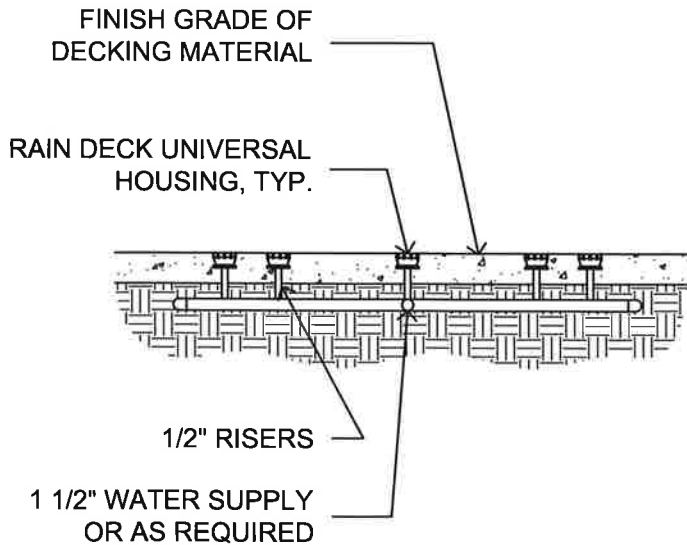
SCALE  
1/2"=1'-0"

RD129-0  
8-NOZZLE RING OF WATER



SCALE  
N.T.S.

24' MAX DIAMETER  
WET ZONE



SPECIFICATIONS:

- MATERIAL: PIPE - SCH 40 PVC
- WATER PRESSURE: MIN. 5 PSI
- WATER CONSUMPTION: MIN 8 / TYP 12 / MAX 16 GPM
- EFFECTIVE RANGE: 4'-24' DIA. (USING ADJUSTABLE NOZZLES)

8-NOZZLE RING OF WATER  
RD129-0

**RAINDECK**  
Ph. 888.445.RAIN  
Fax. 866.869.3942  
info@raindeck.com

THIS DRAWING IS AN INSTRUMENT OF SERVICE AND THE PROPERTY OF RAINDECK. NO PART OF THIS DRAWING AND ALL REPRODUCTIONS SHALL BE RESTRICTED TO THE ORIGINAL SITE FOR WHICH IT WAS DESIGNED AND USED UNLESS PROPERLY SEALED AND APPROVED. PUBLICATION OF THIS DRAWING IN ANY MANNER WITHOUT THE WRITTEN PERMISSION OF RAINDECK IS STRICTLY PROHIBITED. THIS DRAWING SHALL BE COMPLETED BY SAID CONTRACTOR EXCEPT BY AGREEMENT WITH RAINDECK CONTRACTOR.

REV.	DATE	BY	DESCRIPTION
△			
△			
△			
△			
△			

**RAIN DECK  
8-NOZZLE RING OF WATER**

SEAL

DATE

DRAWN BY	RS	REVIEWED BY	RV
DATE	MAY 2017		
SHEET			
MFR#	RD129-0		

SCALE  
1/2"=1'-0"

RDS550-0  
SS SOF-TOUCH ACTIVATOR

**RAINDECK**  
Ph. 888.445.RAIN  
Fax. 866.869.3942  
info@raindeck.com

THIS DRAWING IS AN INSTRUMENT OF SERVICE AND THE PROPERTY OF RAIN DECK. USE OF THIS DRAWING AND ALL INFORMATION CONTAINED HEREIN IS RESTRICTED TO THE ORIGINAL SITE FOR WHICH IT WAS PREPARED AND SHALL NOT BE REPRODUCED, COPIED, REPRODUCED, PUBLISHED OR OTHERWISE DISSEMINATED WITHOUT THE WRITTEN PERMISSION OF RAIN DECK. WHERE A CONTRACTOR'S NAME APPEARS ON THIS DRAWING, WORK SHALL BE COMPLETED BY THE CONTRACTOR IDENTIFIED WITH THE NAME CONTRACTOR.



TOP VIEW



SCALE  
N.T.S.

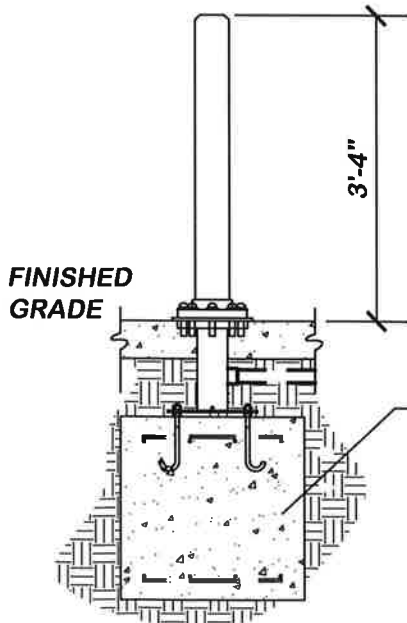
REV	DATE	BY	DESCRIPTION
△			
△			
△			
△			

**INCLUDES:**

- SOF-TOUCH POST MOUNTED ACTIVATOR
- PROXIMITY SENSOR
- RAIN DECK SS FOOTING BASE w/ CAP
- STAINLESS STEEL BOLTS AND GASKET

**SPECIFICATIONS:**

- MATERIAL: STAINLESS STEEL w/ DELRIN ACTIVATOR
- SURFACE FINISH: POWDER COAT
- WIDTH: 4-1/2" O.D. SS PIPE
- HEIGHT: 40" (FROM FINISHED GRADE - CUSTOM SIZES AVAILABLE)



SEE DETAIL RAIN DECK  
STAINLESS STEEL  
FOOTING BASE RDS399-0

FRONT VIEW

**SS SOF-TOUCH ACTIVATOR  
RDS550-0**

SCALE  
1/2"=1'-0"

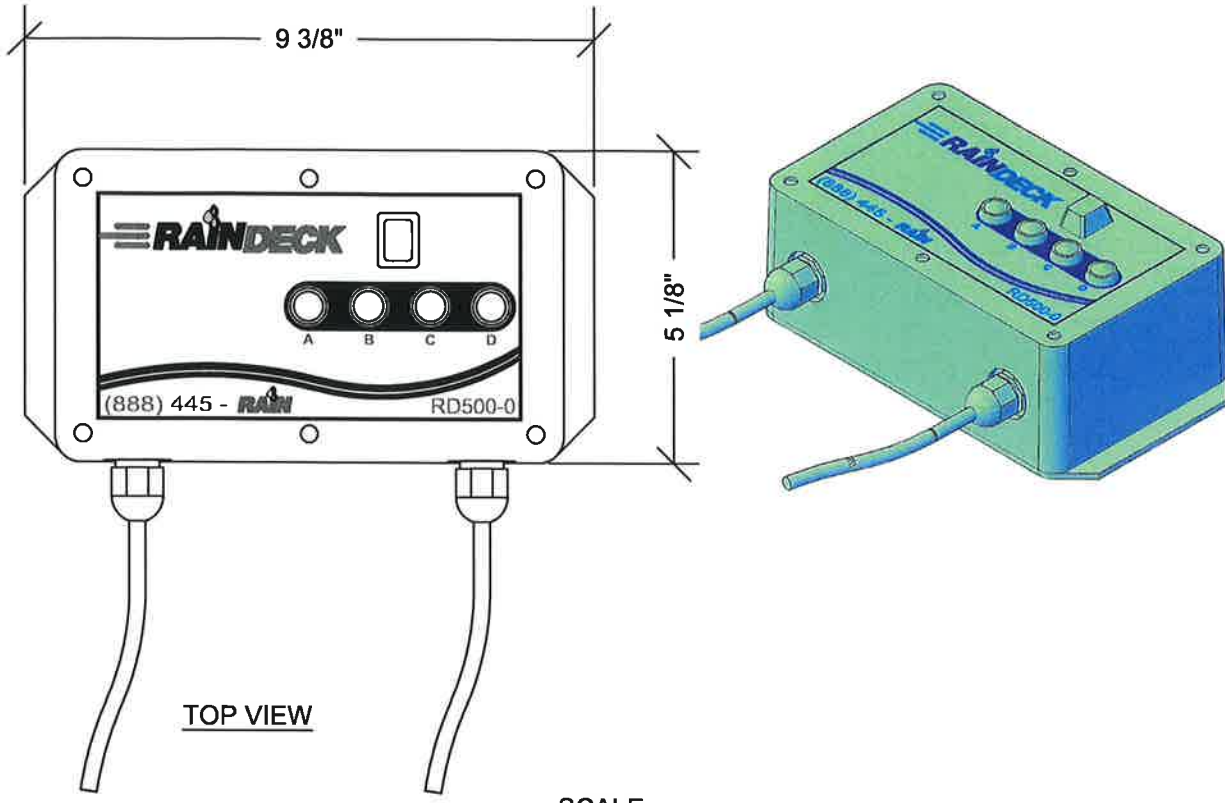
**RAIN DECK  
SS SOF-TOUCH ACTIVATOR**

SEAL

DATE

DRAWN BY	REVIEWED BY
RS	RV
DATE	MAY 2017
SHEET	
MFR#	RDS550-0

# RD500-0 RAIN DECK CONTROLLER



TOP VIEW

SCALE  
N.T.S.

THE RAIN DECK PROPRIETARY ELECTRONIC CONTROLLER SETS THE INDUSTRY STANDARD FOR SPLASH PAD CONTROL SYSTEMS. THE RAIN DECK CONTROLLER PROVIDES THE USER WITH 4 PROGRAM SELECTIONS AND THE ABILITY TO USE WITH A FRESH WATER OR RECIRCULATION SYSTEM. THE CONTROLLER IS POWERED BY A STANDARD 100V POWER SUPPLY WITH CONNECTIONS FOR STANDARD 24VAC SOLENOID VALVES.

### PROGRAMS:

- A. ONE ZONE RANDOM
- B. ONE ZONE SEQUENTIAL
- C. MULTIPLE ZONE RANDOM
- D. ALL ON

\*NUMBER OF ZONES AND SPEED CYCLES CAN BE ADJUSTED ON-SITE. FOR ANY OTHER PROGRAMING QUESTIONS, PLEASE CONTACT RAIN DECK.

RAIN DECK CONTROLLER  
RD500-0

Ph. 888.445.RAIN  
Fax. 866.869.3942  
info@raindeck.com

THIS DRAWING IS AN INSTRUMENT OF SERVICE OF RAIN DECK. USE OF THIS DRAWING AND ALL INFORMATION CONTAINED HEREIN IS RESTRICTED TO THE ORIGINAL SITE FOR WHICH IT WAS PREPARED AND SHALL NOT BE USED UNLESS PROPERLY SEALED AND IDENTIFIED. ANY REPRODUCTION OR DRAWING BY ANY METHOD IN WHOLE OR IN PART IS PROHIBITED WITHOUT THE WRITTEN PERMISSION OF RAIN DECK. CONTRACTOR'S NAME APPEARS ON THIS DRAWING. WORK SHALL BE COMPLETED BY THE CONTRACTOR IDENTIFIED BY AGREEMENT WITH RAIN DECK CONTRACTORS.

REV.	DATE	BY	DESCRIPTION
△			
△			
△			
△			

RAIN DECK  
RAIN DECK CONTROLLER

SEAL

DATE

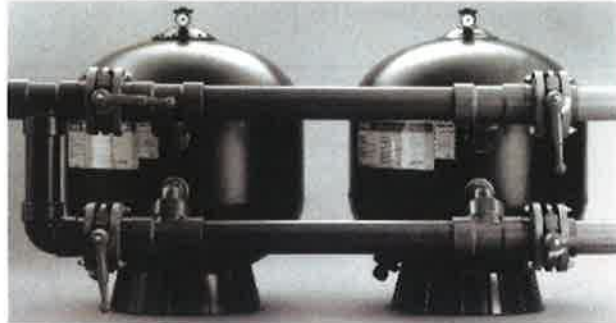
DRAWN BY	REVIEWED BY
RS	RV
DATE	
MARCH 2014	
SHEET	
MFR#	
RD500-0	

## SCH 40 & 80 FOR TR100C, TR140C, TR100C-3 & TR140C-3 TANDEM FILTER PIPING KITS FOR 2 & 3 IN. FILTERS

These Tandem Filter Piping Kits are designed specifically for use with the Triton® TR100C, TR140C, Triton TR100C-3 and TR140C-3 Sand Filters to make the best even better.

We are providing this additional service for your convenient one-stop shopping. Pipe and filters are all you need.

Pipe is not included in kits.



Tandem Filter Piping Kits for Triton TR100C, TR140C, TR100C-3 and TR140C-3 Sand Filters

CALIFORNIA PROPOSITION 65 WARNING

⚠️ **WARNING:** Cancer and Reproductive Harm.  
 ⚠️ **AVERTISSEMENT:** Peut Causer le Cancer et des Dommages au Système Reproducteur.  
 ⚠️ **ADVERTENCIA:** Cáncer y Daño Reproductivo.  
[www.p65warnings.ca.gov](http://www.p65warnings.ca.gov)

### Ordering Information

Product	Model
For Plumbing Two TR100C or TR140C Filters	
146400	3 in. Two filter kit, SCH 40 (200 GPM)
146402	4 in. Two filter kit, SCH 40 (300 GPM)
146404	6 in. Two filter kit, SCH 40 (700 GPM)
146403	4 in. Two filter kit, SCH 80 (300 GPM)
146405	6 in. Two filter kit, SCH 80 (700 GPM)
For Plumbing Two TR100C-3 or TR140C-3 Filters	
147400	3 in. Two filter kit, SCH 40 (200 GPM)
147402	4 in. Two filter kit, SCH 40 (300 GPM)
147404	6 in. Two filter kit, SCH 40 (700 GPM)
147401	3 in. Two filter kit, SCH 80 (200 GPM)
147403	4 in. Two filter kit, SCH 80 (300 GPM)
147405	6 in. Two filter kit, SCH 80 (700 GPM)

Product	Model
Adder Kits for TR100C and TR140C Filters <sup>1</sup>	
146406	4 in. Single filter kit, SCH 40
146408	6 in. Single filter kit, SCH 40
146407	4 in. Single filter kit, SCH 80
146409	6 in. Single filter kit, SCH 80
Adder Kits for TR100C-3 and TR140C-3 Filters	
147406	4 in. Single filter kit, SCH 40
147408	6 in. Single filter kit, SCH 40
147407	4 in. Single filter kit, SCH 80
147409	6 in. Single filter kit, SCH 80

Note: All kits include hardware, fittings, gaskets.

Note: All kits include hardware, fittings, gaskets and butterfly valves.

Filters	Filter Area Sq. Ft.	Manifold Pipe Dia.	Filter Rate Sq. Ft.		Turnover Capacity		
			15 GPM	20 GPM	8 Hours	8 Hours	10 Hours
TANDEM TRITON 140C FILTER INSTALLATION							
6 TR 140's	42.36	6 in.	635	—	228,600	304,800	381,000
		8 in.	—	847	304,920	406,560	508,200
7 TR 140's	49.42	6 in.	741	—	266,760	355,680	444,600
		8 in.	—	988	355,680	474,240	592,800
8 TR 140's	56.48	8 in.	847	—	304,920	406,560	508,200
		8 in.	—	1130	406,800	542,400	678,000

## SCH 40 & 80 FOR TR100C, TR140C, TR100C-3 & TR140C-3 (CONT'D)

### TANDEM FILTER PIPING KITS FOR 2 & 3 IN. FILTERS

Filters	Filter Area Sq. Ft.	Manifold Pipe Dia.	Filter Rate Sq. Ft.		Turnover Capacity		
			15 GPM	20 GPM	6 Hours	8 Hours	10 Hours
<b>TANDEM TRITON TR100C AND TR100C-3 FILTER INSTALLATION</b>							
2 TR 100's	9.82	3 in.	147	—	52,920	70,560	88,200
		4 in.	—	196	70,560	94,080	117,600
3 TR 100's	14.73	4 in.	221	—	79,560	106,080	132,600
		4 in.	—	295	106,200	141,600	177,000
4 TR 100's	19.64	4 in.	295	—	106,200	141,600	177,000
		5 in.	—	393	141,480	188,640	235,800
5 TR 100's	24.55	5 in.	368	—	132,480	176,640	220,800
		5 in.	—	491	176,760	235,680	294,600
<b>TANDEM TRITON TR140C AND TR140C-3 FILTER INSTALLATION</b>							
2 TR 140's	14.12	4 in.	212	—	76,320	101,760	127,200
		4 in.	—	282	101,520	135,360	169,200
3 TR 140's	21.18	4 in.	318	—	114,480	152,640	190,800
		5 in.	—	424	152,640	203,520	254,400
4 TR 140's	28.24	5 in.	424	—	152,640	203,520	254,400
		6 in.	—	565	203,040	270,720	338,400
5 TR 140's	35.30	5 in.	530	—	190,800	254,400	318,000
		6 in.	—	706	254,160	338,880	423,600

### Dimensions and Performance

Two Filter System	A	B	C	D	E	F	G	H	I	J	K	Total Wt.
3 in.—TR100C	82-3/8 in.	17-15/16 in.	48 in. min.	18 in. min.	39-3/4 in.	15 in.	29-33/64 in.	8-5/8 in.	11-1/32 in.	51-13/16 in.	—	2300 lbs.
3 in.—TR140C	88-3/8 in.	17-15/16 in.	54 in. min.	18 in. min.	45-1/4 in.	18 in.	32-33/64 in.	8-5/8 in.	13-15/32 in.	57-13/16 in.	—	3200 lbs.
4 in.—TR140C	95-3/4 in.	19-35/64 in.	54 in. min.	18 in. min.	45-1/2 in.	18 in.	33-1/8 in.	9-15/16 in.	12-21/32 in.	59-11/64 in.	—	2300 lbs.
6 in.—TR140C*	111-3/4 in.	24-7/32 in.	54 in. min.	18 in. min.	45-1/2 in.	18 in.	35-3/8 in.	12-13/16 in.	10-21/64 in.	64-13/32 in.	64-53/64 in.	3550 lbs.

\* 6 in. piping needs to be rotated upward as shown at 25° so handle will clear the floor.

FIGURE 4A

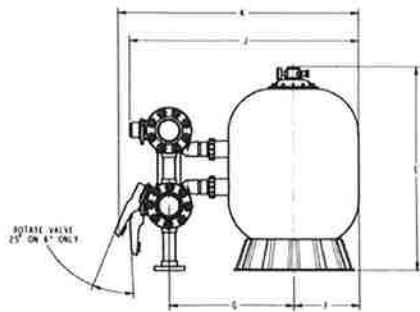
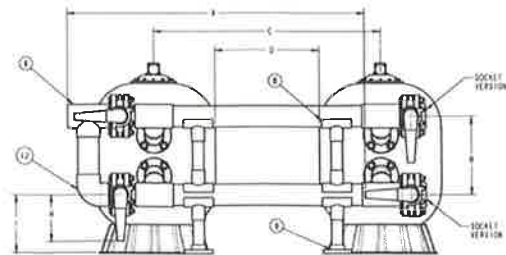
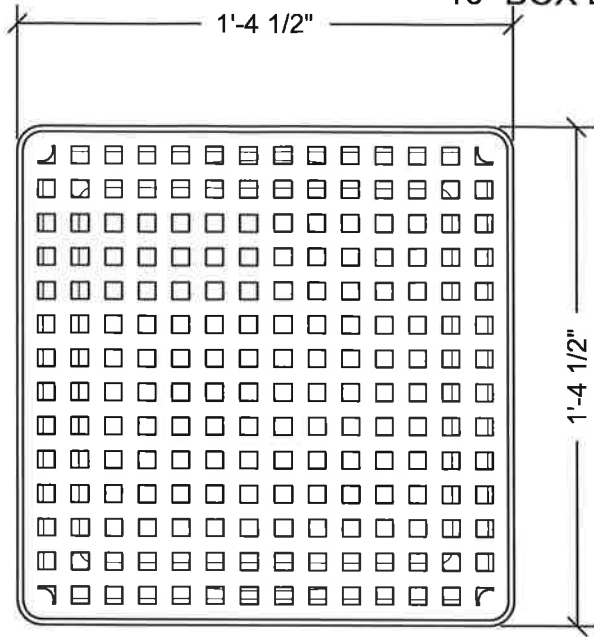


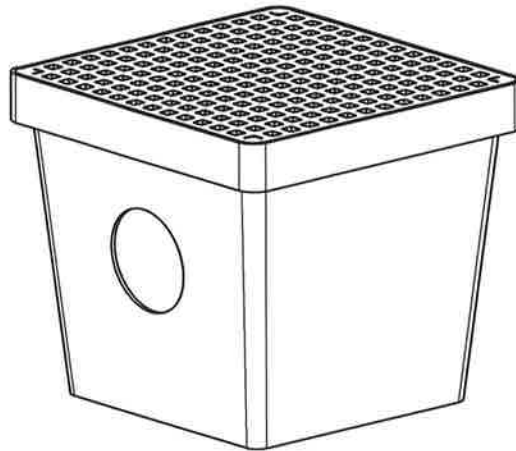
FIGURE 4B



RD428-0  
16" BOX DRAIN



TOP VIEW



SCALE  
N.T.S.

**RAINDECK**  
Ph. 888.445.RAIN  
Fax. 866.869.3942  
info@raindeck.com

THIS DRAWING IS THE PROPERTY OF RAIN DECK AND IS FOR THE EXCLUSIVE USE OF THE CLIENT. NO PART OF THIS DRAWING SHALL BE REPRODUCED OR TRANSMITTED IN ANY FORM OR BY ANY MEANS, ELECTRONIC OR MECHANICAL, INCLUDING PHOTOCOPYING, RECORDING, OR BY ANY INFORMATION STORAGE AND RETRIEVAL SYSTEM, WITHOUT THE WRITTEN PERMISSION OF RAIN DECK. THIS DRAWING IS FOR THE EXCLUSIVE USE OF THE CLIENT AND IS NOT TO BE USED FOR ANY OTHER PROJECTS. ANY REUSE OR MODIFICATION OF THIS DRAWING WITHOUT THE WRITTEN PERMISSION OF RAIN DECK IS PROHIBITED. CONTRACTOR'S NAME APPEARS ON THIS DRAWING. WORK SHALL BE COMPLETED BY THE CONTRACTOR'S NAME APPEARING ON THIS DRAWING.

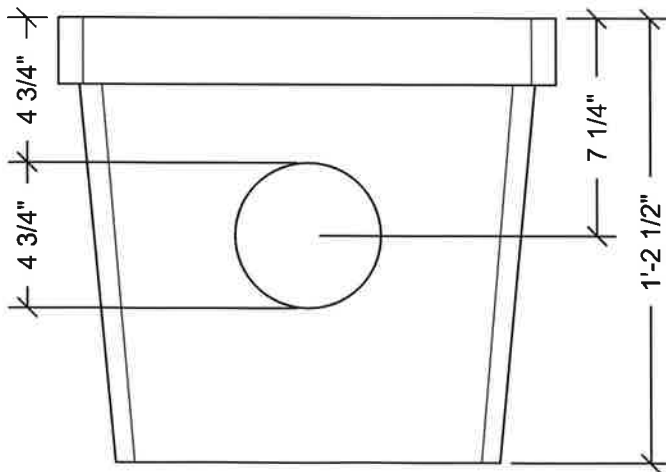
REV.	DATE	BY	DESCRIPTION
△			
△			
△			
△			

**RAIN DECK**  
**16" BOX DRAIN**

SEAL

DATE

DRAWN BY	REVIEWED BY
RS	RV
DATE	APRIL 2014
SHEET	
MFR#	RD428-0



FRONT VIEW

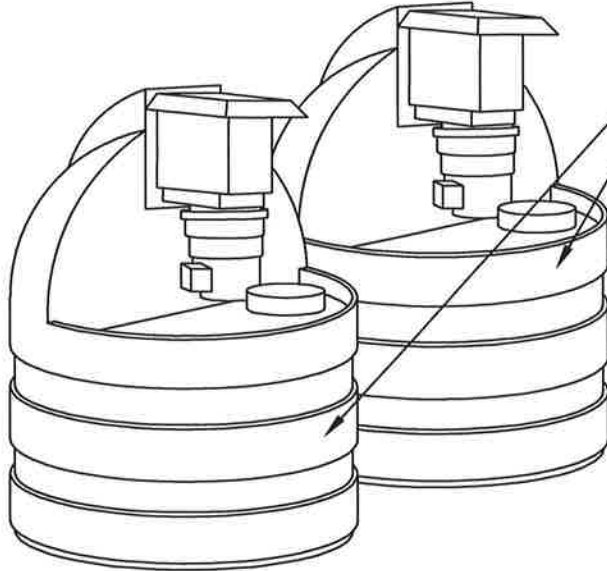
**SPECIFICATIONS:**

- MATERIALS: MOLDED HIGH-DENSITY POLYETHYLENE
- ADA COMPLIANT
- AVAILABLE WITH 2, 3, OR 4-HOLE DRAIN SUMP

16" BOX DRAIN

# RAIN DECK

## CHEMICAL CONTROL SYSTEM



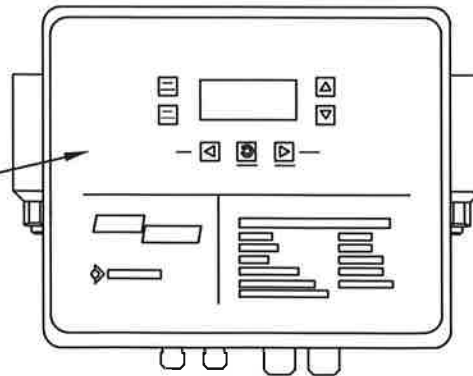
### STENNER TANK SYSTEM

- 15 GALLON TANK
- TANK: POLYETHYLENE, CERTIFIED NSF/ANSI 61
- POLYPROPYLENE LID w/ CHILD-RESISTANT LOCK
- PRE-INSTALLED w/ STENNER PUMP MODEL 45M1

### 45M1 PUMP

- SINGLE HEAD ADJUSTABLE OUTPUT
- MAXIMUM 3 GPD @25 PSI

RAIN DECK NSF CERTIFIED CHEMICAL CONTROLLER



Ph. 888.445.RAIN  
Fax. 866.869.3942  
info@raindeck.com

THIS DRAWING IS AN INSTRUMENT OF SERVICE AND THE PROPERTY OF RAIN DECK. USE OF THIS DRAWING AND ALL INFORMATION CONTAINED HEREIN IS RESTRICTED TO THE ORIGINAL SITE FOR WHICH IT WAS PREPARED AND SHALL NOT BE REPRODUCED, COPIED, REPRODUCED, TRANSMITTED, EITHER ELECTRONICALLY OR MECHANICALLY, IN ANY FORM OR BY ANY METHOD IN WHOLE OR IN PART WITHOUT THE WRITTEN PERMISSION OF RAIN DECK. WHERE A CONTRACTOR'S NAME APPEARS ON THIS DRAWING, WORK SHALL BE COMPLETED BY SAID CONTRACTOR IN ACCORDANCE WITH THE AGREEMENT WITH SAID CONTRACTOR.

REV.	DATE	BY	DESCRIPTION
△			
△			
△			
△			

**RAIN DECK  
CHEMICAL CONTROL  
SYSTEM**

SEAL

DATE

DRAWN BY	REVIEWED BY
RS	RV
DATE	
JANUARY 2016	
SHEET	
MFR#	
##	



## WARRANTY AND CUSTOMER SUPPORT

At Rain Deck, we take pride in offering unparalleled customer support throughout every stage of your splash pad project. Whether you require assistance with installation, winterizing, spring start-up, or any other aspect, we are here to help. We are pleased to provide these support services at no additional cost to any of our valued clients.

### WARRANTY COVERAGE

**25-YEAR WARRANTY:** We stand behind the durability of our products. Rain Deck offers a 25-year warranty on all commercial stainless steel above-ground feature pipes and welds, as well as stainless-steel footing base tubing and welds.

**2-YEAR WARRANTY:** Our commitment to quality extends to the aesthetics of our products. Rain Deck provides a 2-year warranty against peeling or fading on all finish coatings. Please note that Rain Deck will not warranty any painted or powder-coated surfaces that are submerged in water.

**POWDER COATED OR PAINTED FEATURES:** For powder-coated or painted features, Rain Deck, at its discretion, may provide touch-up paint instead of replacing the feature.

**ELECTRONIC EQUIPMENT:** All electronic equipment, including but not limited to control panels, timers, and sensors, is covered by a 1-year warranty from the date of purchase.

**LIFETIME WARRANTY:** Rain Deck ensures the longevity of your investment. We offer a lifetime warranty on all Rain Deck UHMW, PVC, or Delrin spray jet housings and nozzles.

**5-YEAR WARRANTY:** For added peace of mind, we provide a 5-year warranty on all brass, stainless steel, and aluminum housings and nozzles.

**UNDERGROUND TANKS:** When properly installed following the original manufacturer's instructions, our underground tanks are warranted against defective materials and workmanship for a full three (3) years from the date of manufacture. If a defect arises within this period, Rain Deck will supply a new equivalent tank as a replacement. Please note that this warranty covers the tank itself and excludes installation/removal costs and consequential damages.

**RUBBER SURFACING:** Our rubber surfacing granules and binder carry a warranty on the product only. In the event of defects within one year of receiving the product, please contact Rain Deck. We do not warranty the installation of the rubber surfacing and offer no warranty after the rubber granules have been mixed with the binder.

**GENERAL WARRANTY TERMS:** Unless otherwise specified above, Rain Deck warrants all products for a period of one year from the date of product shipment.

### CONTACT US

Although we believe our products are built to last well beyond their warranty periods, should you encounter any warranty issues, please do not hesitate to contact Rain Deck. Our dedicated team is available at 888-445-RAIN or via email at info@raindeck.com.



888-445-RAIN



info@RainDeck.com



www.RainDeck.com